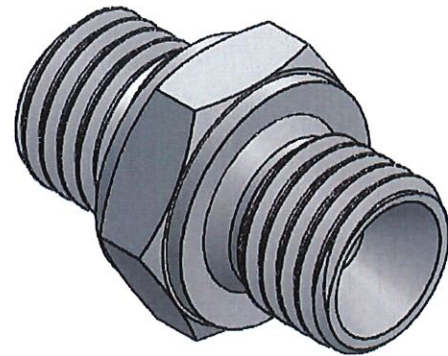
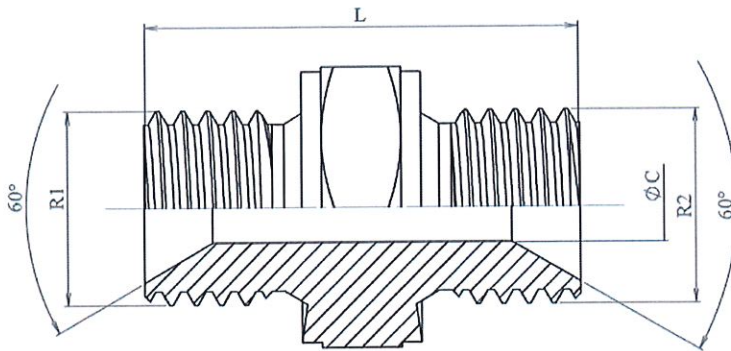


**Adaptor BSP male-BSP male (60°)**

Carbon steel

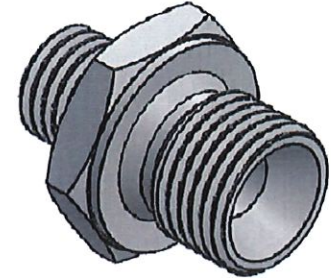
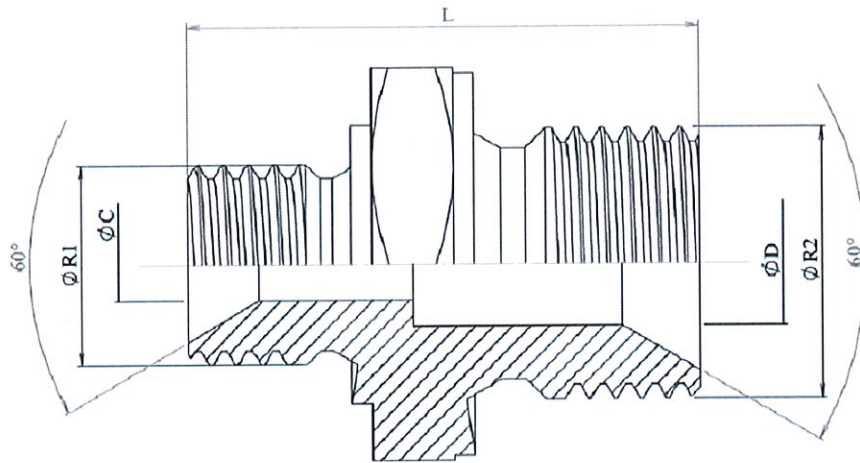


Part n°	R1	R2	L	HEX 1	ØC
<b>A101002</b>	1/8" BSP	1/8" BSP	22	14	3,5
<b>A101004</b>	1/4" BSP	1/4" BSP	31	17	4,7
<b>A101004H19</b>	1/4" BSP	1/4" BSP	31	19	6
<b>A101006</b>	3/8" BSP	3/8" BSP	35	22	8
<b>A101008</b>	1/2" BSP	1/2" BSP	40	27	11
<b>A101010</b>	5/8" BSP	5/8" BSP	45	30	14
<b>A101012</b>	3/4" BSP	3/4" BSP	45	32	16
<b>A101016</b>	1" BSP	1" BSP	53	41	22
<b>A101020</b>	1"1/4 BSP	1"1/4 BSP	56	50	28,5
<b>A101024</b>	1"1/2 BSP	1"1/2 BSP	65	55	33
<b>A101032</b>	2" BSP	2" BSP	69	70	46
<b>A101040</b>	2" 1/2 BSP	2" 1/2 BSP	72	85	55
<b>A101048</b>	3" BSP	3" BSP	90	100	64

**Reducer adaptor BSP male-BSP male (60°)**

Carbon steel

1/1

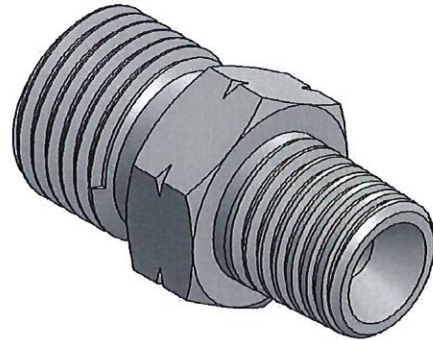
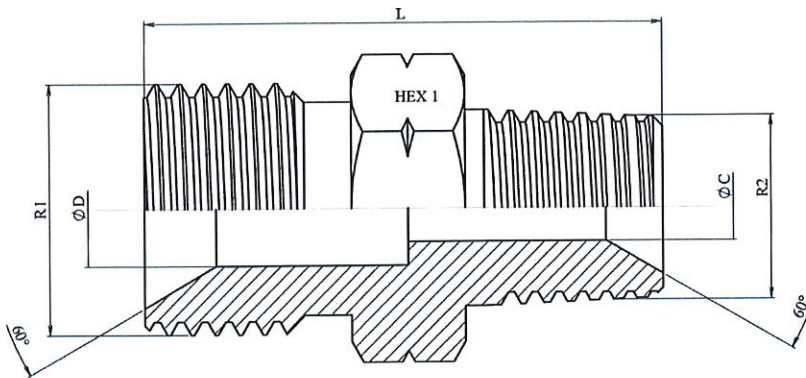


Part n°	R1	R2	L	HEX 1	ØC	ØD
<b>A10200204</b>	1/8" BSP	1/4" BSP	25	17	3,5	6
<b>A10200206</b>	1/8" BSP	3/8" BSP	26	22	3,5	8
<b>A10200406</b>	1/4" BSP	3/8" BSP	32	22	6	8
<b>A10200408</b>	1/4" BSP	1/2" BSP	34	27	6	11
<b>A10200608</b>	3/8" BSP	1/2" BSP	38	27	8	11
<b>A10200612</b>	3/8" BSP	3/4" BSP	40	32	8	16
<b>A10200812</b>	1/2" BSP	3/4" BSP	43,5	32	11	16
<b>A10200816</b>	1/2" BSP	1" BSP	46,5	41	11	22
<b>A10201008</b>	5/8" BSP	1/2" BSP	44	30	14	11
<b>A10201012</b>	5/8" BSP	3/4" BSP	45	32	14	16
<b>A10201216</b>	3/4" BSP	1" BSP	48	41	16	22
<b>A10201220</b>	3/4" BSP	1"1/4" BSP	51	50	16	28,5
<b>A10201620</b>	1" BSP	1"1/4" BSP	56	50	22	28,5
<b>A10201624</b>	1" BSP	1"1/2" BSP	58	55	22	33
<b>A10202024</b>	1"1/4" BSP	1"1/2" BSP	62	55	28,5	33
<b>A10202032</b>	1"1/4" BSP	2" BSP	64	70	28,5	46
<b>A10202432</b>	1"1/2" BSP	2" BSP	66	70	33	46
<b>A10203240</b>	2" BSP	2" 1/2" BSP	72	85	46	55
<b>A10203248</b>	2" BSP	3" BSP	85	100	46	64
<b>A10204048</b>	2" 1/2" BSP	3" BSP	85	100	55	64

**Reducer adaptor BSP male (60°)-NPT male**

Carbon steel

1/1

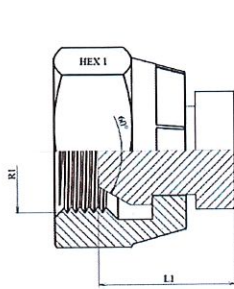
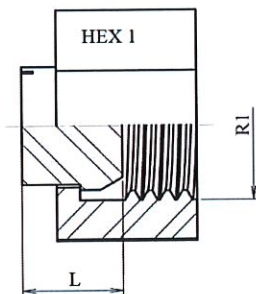
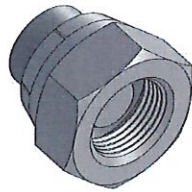
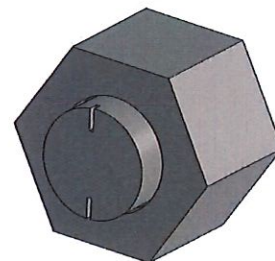
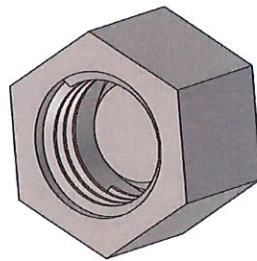


Part n°	R1	R2	L	HEX 1	ØC	ØD
<b>A10240402</b>	1/4" BSP	1/8" NPT	28	19	4,7	4,7
<b>A10240406</b>	1/4" BSP	3/8" NPT	34,6	19	10,31	4,7
<b>A10240408</b>	1/4" BSP	1/2" NPT	37,5	22	11	6
<b>A10240608</b>	3/8" BSP	1/2" NPT	38,5	22	11	8
<b>A10240806</b>	1/2" BSP	3/8" NPT	40	27	10,3	10,3
<b>A10240812</b>	1/2" BSP	3/4" NPT	42	27	16	11
<b>A10241208</b>	3/4" BSP	1/2" NPT	48	32	13,5	16,7
<b>A10241216</b>	3/4" BSP	1" NPT	49	36	22	16



**BSP swivel female cap (60°)**

Carbon steel

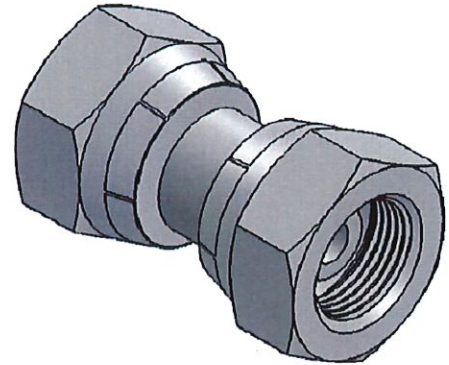
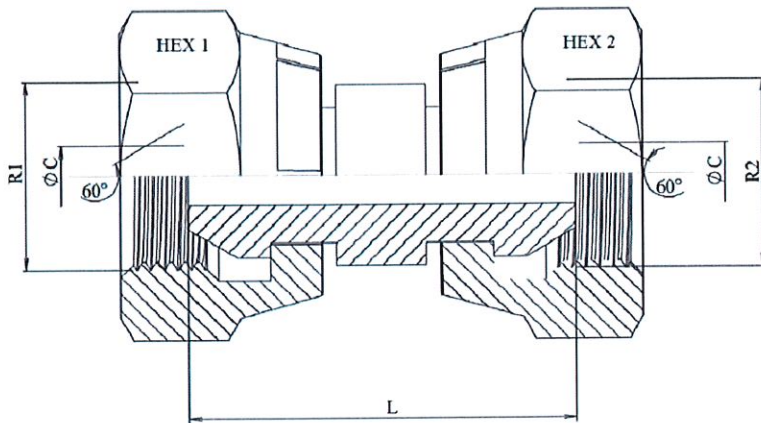
**1/1****A****B**

Part n°	R1	L1	HEX 1
<b>A107504</b>	1/4" BSP	14	19
<b>A107506</b>	3/8" BSP	15	22
<b>A107508</b>	1/2" BSP	17	27
<b>A107512</b>	3/4" BSP	20,5	32
<b>A107516</b>	1" BSP	23,5	41
<b>A107520</b>	1"1/4 BSP	25,5	50
<b>A107524</b>	1"1/2 BSP	27,5	55
<b>A107532</b>	2" BSP	26	70

\* Unless Otherwise requested, they will be supplied randomly

**Adaptor BSP swivel female - BSP swivel female (60°)**

Carbon steel

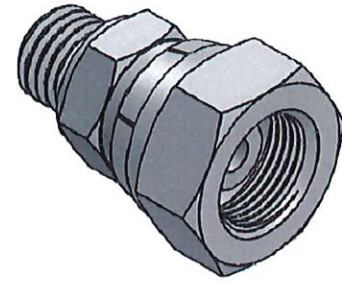
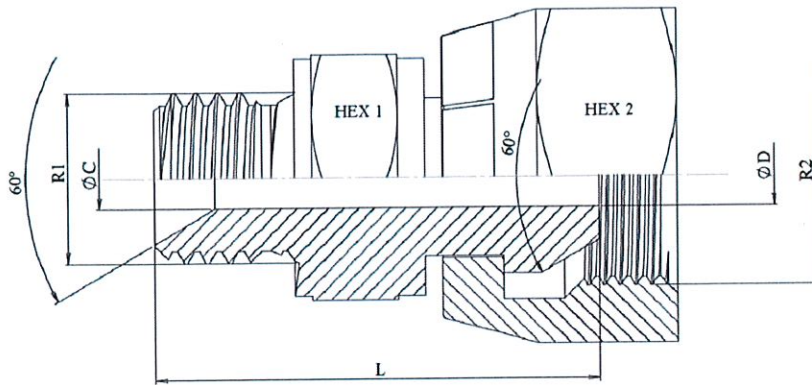


Part nº	R1	R2	HEX 1	HEX 2	ØC	L
<b>A117204</b>	1/4" BSP	1/4" BSP	19	19	4	26
<b>A117206</b>	3/8" BSP	3/8" BSP	22	22	7	28
<b>A117208</b>	1/2" BSP	1/2" BSP	27	27	9,5	34
<b>A117212</b>	3/4" BSP	3/4" BSP	32	32	15	39
<b>A117216</b>	1" BSP	1" BSP	41	41	19	47
<b>A117220</b>	1"1/4 BSP	1"1/4 BSP	50	50	26	51
<b>A117224</b>	1"1/2 BSP	1"1/2 BSP	55	55	32	55
<b>A117232</b>	2" BSP	2" BSP	70	70	44	55

**Reducer BSP male-BSP swivel female (60°)**

Carbon steel

1/1

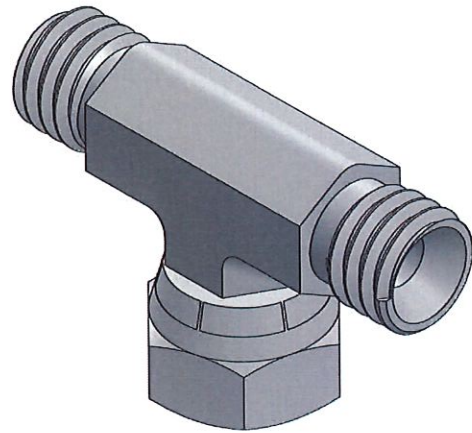
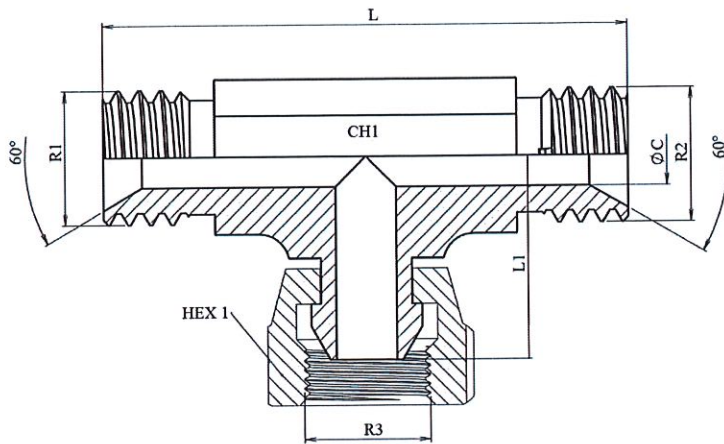


Part n°	R1	R2	HEX 1	HEX 2	ØC	ØD	L
<b>A11730204</b>	M 1/8" BSP	H 1/4" BSP	14	19	3,5	3,5	25,5
<b>A11730402</b>	M 1/4" BSP	H 1/8" BSP	19	14	6	2	28
<b>A11730406</b>	M 1/4" BSP	H 3/8" BSP	19	22	6	6	32,5
<b>A11730604</b>	M 3/8" BSP	H 1/4" BSP	22	19	8	4	32,5
<b>A11730806</b>	M 1/2" BSP	H 3/8" BSP	27	22	11	7	36,5
<b>A11731208</b>	M 3/4" BSP	H 1/2" BSP	32	27	16,7	11,1	42,5
<b>A11731612</b>	M 1" BSP	H 3/4" BSP	41	32	22	15	48,5
<b>A11730608</b>	M 3/8" BSP	H 1/2" BSP	22	27	8	8	36
<b>A11730812</b>	M 1/2" BSP	H 3/4" BSP	27	32	11	15	41,5
<b>A11731216</b>	M 3/4" BSP	H 1" BSP	32	41	16,7	22,2	46,5
<b>A11731220</b>	M 3/4" BSP	H 1"1/4" BSP	41	50	16,7	28,6	51,5
<b>A11731620</b>	M 1" BSP	H 1"1/4" BSP	41	50	22	26	52,5
<b>A11732024</b>	M 1"1/4" BSP	H 1"1/2" BSP	50	55	28,5	32	57
<b>A11732432</b>	M 1" 1/2" BSP	H 2" BSP	60	70	33	44	61,5



**Brunch tee BSP Male-swivel female-male (60°)  
forge**

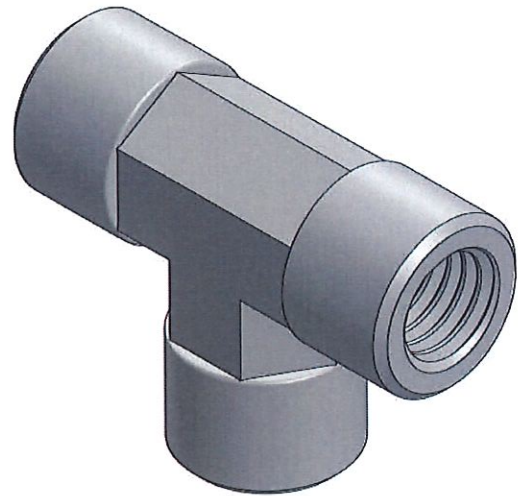
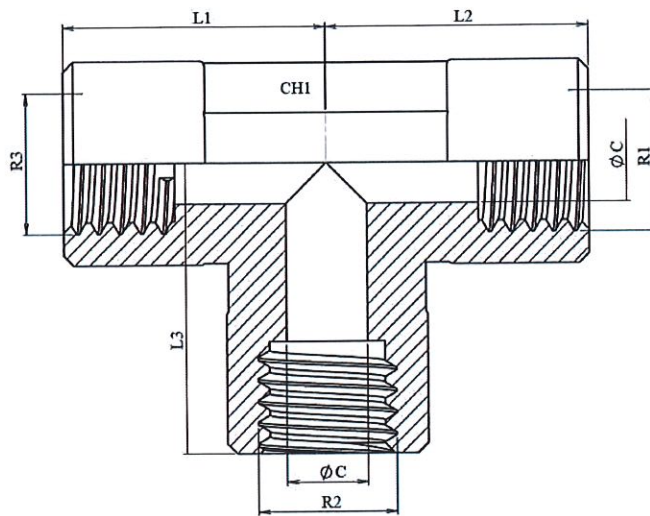
Carbon steel



Part n°	R1	R2	R3	L	L1	HEX 1	CH1	ØC
<b>S122402</b>	1/8" BSP	1/8" BSP	1/8" BSP	45	22,5	14	11	3,5
<b>S122404</b>	1/4" BSP	1/4" BSP	1/4" BSP	54	24	19	14	4,7
<b>S122406</b>	3/8" BSP	3/8" BSP	3/8" BSP	60	30	22	17	8
<b>S122408</b>	1/2" BSP	1/2" BSP	1/2" BSP	70	35	27	22	11
<b>S122412</b>	3/4" BSP	3/4" BSP	3/4" BSP	86	38	32	27	16
<b>S122416</b>	1" BSP	1" BSP	1" BSP	94	49	41	36	22
<b>S122420</b>	1"1/4 BSP	1"1/4 BSP	1"1/4 BSP	104	54	50	46	26
<b>S122424</b>	1" 1/2 BSP	1" 1/2 BSP	1" 1/2 BSP	120	58	55	50	32
<b>S122432</b>	2" BSP	2" BSP	2" BSP	149,5	60	70	64	46

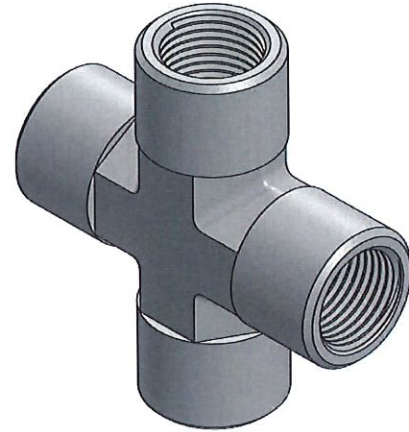
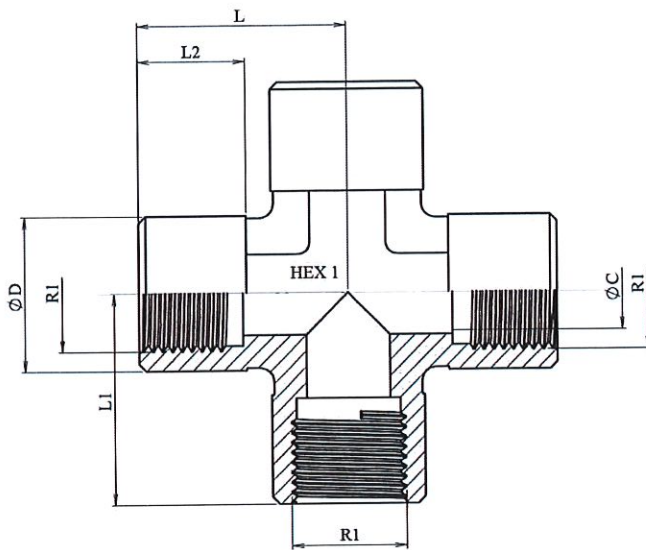
**Tee BSP fixed female forge**

Carbon steel

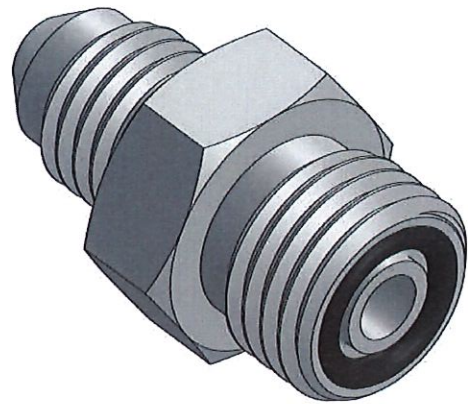
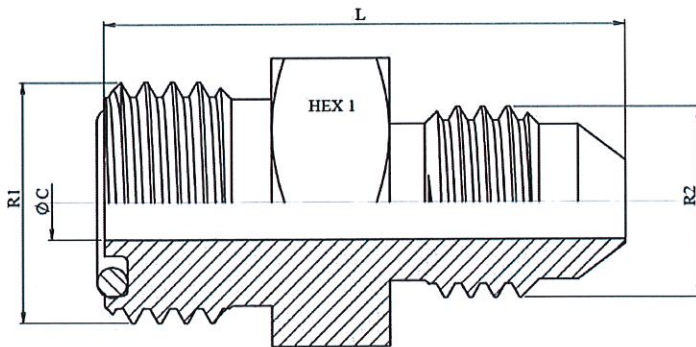


Part n°	R1	R2	R3	L1	L2	L3	CH1	ØC
<b>S122602</b>	1/8" BSP	1/8" BSP	1/8" BSP	20	20	20	14	8
<b>S122604</b>	1/4" BSP	1/4" BSP	1/4" BSP	22	22	22	17	10
<b>S122606</b>	3/8" BSP	3/8" BSP	3/8" BSP	30	30	30	19	12
<b>S122608</b>	1/2" BSP	1/2" BSP	1/2" BSP	35	35	35	24	17,5
<b>S122612</b>	3/4" BSP	3/4" BSP	3/4" BSP	45	45	45	27	16
<b>S122616</b>	1" BSP	1" BSP	1" BSP	47	47	47	41	25
<b>S122620</b>	1"1/4 BSP	1"1/4 BSP	1"1/4 BSP	48	48	48	48	39,5
<b>S122624</b>	1" 1/2 BSP	1" 1/2 BSP	1" 1/2 BSP	53	53	53	65	32
<b>S122632</b>	2" BSP	2" BSP	2" BSP	60	60	60	70	57



**Cross fixed female BSP**

Part n°	R1	L	L1	L2	HEX 1	ØC	ØD
<b>S122702</b>	1/8" BSP	20	20	6	14	8	16
<b>S122704</b>	1/4" BSP	22	22	7	20	10	31,5
<b>S122706</b>	3/8" BSP	30	30	15,5	20	12	22
<b>S122708</b>	1/2" BSP	35	35	16,5	27	17,5	28,3
<b>S122712</b>	3/4" BSP	45	45	21	33	22	34,5
<b>S122716</b>	1" BSP	47	47	23,3	41	25	42,5

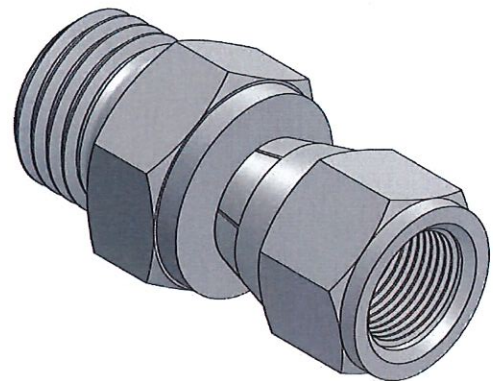
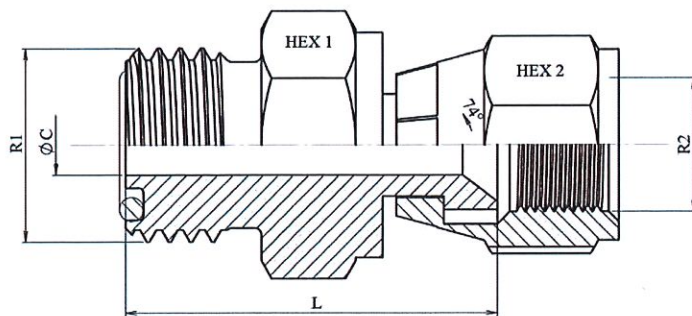


Part nº	R1	R2	L	HEX 1	ØC
<b>OR2040404</b>	ORFS 9/16"-18h	JIC 7/16"	31	17	4,4
<b>OR2040606</b>	ORFS 11/16"-16h	JIC 9/16"	34,5	19	6,5
<b>OR2040808</b>	ORFS 13/16"-16h	JIC 3/4"	38,7	22	9,5
<b>OR2041010</b>	ORFS 1"-14h	JIC 7/8"	46,5	27	12,3
<b>OR2041212</b>	ORFS 1"3/16-12h	JIC 1"1/16	51,9	32	15,5
<b>OR2041616</b>	ORFS 1"7/16-12h	JIC 1"5/16	54,9	38	20,6

The material can be provided with imperial hexagons

## ORFS Male-JIC Swivel female

Carbon steel



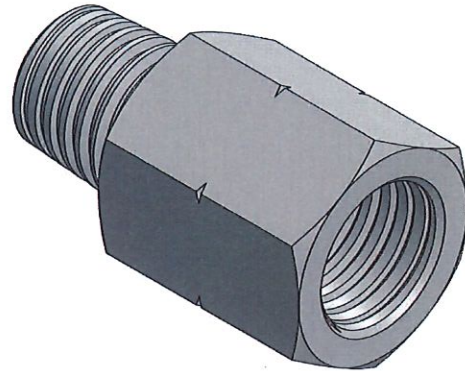
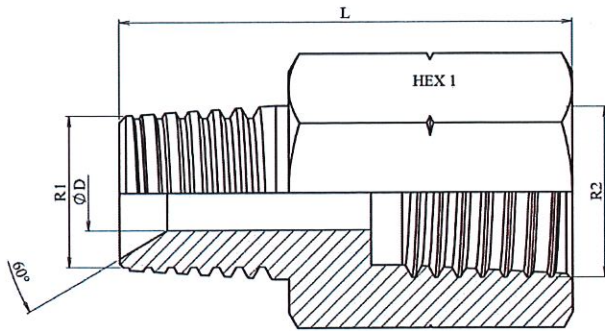
Part nº	R1	R2	L	HEX 1	HEX 2	ØC
<b>OR3020404</b>	ORFS 9/16"-18h	JIC 7/16"	27,5	17	14	4,4
<b>OR3020606</b>	ORFS 11/16"-16h	JIC 9/16"	33	19	19	6,5
<b>OR3020808</b>	ORFS 13/16"-16h	JIC 3/4"	36,5	22	24	9,5
<b>OR3021010</b>	ORFS 1"-14h	JIC 7/8"	38,5	27	27	12,3
<b>OR3021212</b>	ORFS 1"3/16-12h	JIC 1"1/16	46,5	32	32	15,5
<b>OR3021616</b>	ORFS 1"7/16-12h	JIC 1"5/16	47,5	38	41	20,5
<b>OR3022020</b>	ORFS 1"11/16-12h	JIC 1"5/8	54	46	50	26
<b>OR3022424</b>	ORFS 2"-12h	JIC 1"7/8	52	55	55	32

The material can be provided with imperial hexagons



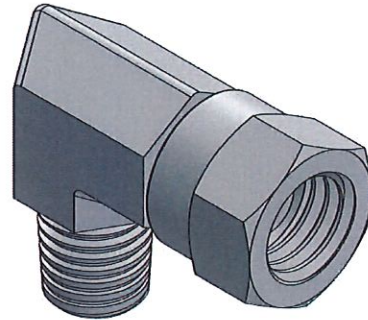
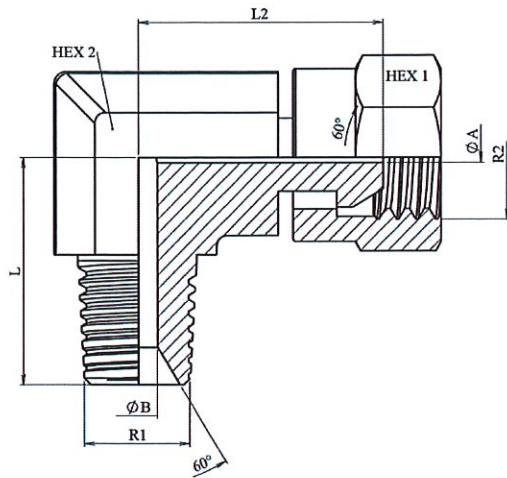
**Adaptor male NPT (60°) - fixed female NPT**

Carbon steel



Part nº	R1	R2	L	HEX 1	ØD
<b>N10600404</b>	M 1/4" NPT	H 1/4" NPT	35	19	6
<b>N10600406</b>	M 1/4" NPT	H 3/8" NPT	33,5	22	6
<b>N10600604</b>	M 3/8" NPT	H 1/4" NPT	36,5	19	8
<b>N10600606</b>	M 3/8" NPT	H 3/8" NPT	36,6	22	10,3
<b>N10600608</b>	M 3/8" NPT	H 1/2" NPT	42,5	30	8
<b>N10600806</b>	M 1/2" NPT	H 3/8" NPT	42,2	22	13,5
<b>N10600808</b>	M 1/2" NPT	H 1/2" NPT	47	30	11
<b>N10600812</b>	M 1/2" NPT	H 3/4" NPT	45	36	11
<b>N10601212</b>	M 3/4" NPT	H 3/4" NPT	46	36	16
<b>N10601616</b>	M 1" NPT	H 1" NPT	52,5	41	22

The material can be provided with imperial hexagons



Part nº	R1	R2	L	L2	HEX 1	HEX 2	ØA	ØB
<b>N11930404</b>	M 1/4" NPT	H 1/4" NPSM	27	26	19	14	6	6
<b>N11930606</b>	M 3/8" NPT	H 3/8" NPSM	31	30	22	19	7	8
<b>N11930808</b>	M 1/2" NPT	H 1/2" NPSM	37,5	35	27	22	9,5	11
<b>N11931212</b>	M 3/4" NPT	H 3/4" NPSM	40	42	32	27	15	16
<b>N11931616</b>	M 1" NPT	H 1" NPSM	50	44	41	36	19	22
<b>N11932020</b>	M 1" 1/4 NPT	F 1" 1/4 NPSM	49	56	50	46	26	28

The material can be provided with imperial hexagons