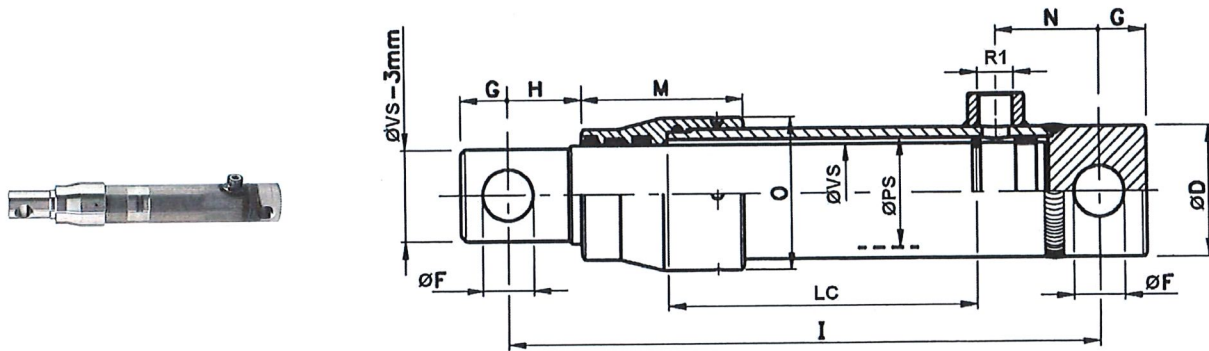


Pressure 180 bar
Temperature -30°C a 110°C

Part nº	R1	Kg/100 bar	Piston rod	ØPS	Stroke (mm)	ØD	ØF	G	H	I	N	R
SE25100	3/8" BSP	490	25	32 H9	100	40	14,2	14	24	190	40	14
SE25150	3/8" BSP	490	25	32 H9	150	40	14,2	14	24	240	40	14
SE25200	3/8" BSP	490	25	32 H9	200	40	14,2	14	24	290	40	14
SE25250	3/8" BSP	490	25	32 H9	250	40	14,2	14	24	340	40	14
SE25300	3/8" BSP	490	25	32 H9	300	40	14,2	14	24	490	40	14
SE30150	3/8" BSP	706	30	40 H9	150	50	16,4	16	26	250	44	15
SE30200	3/8" BSP	706	30	40 H9	200	50	16,4	16	26	300	44	15
SE30250	3/8" BSP	706	30	40 H9	250	50	16,4	16	26	350	44	15
SE30300	3/8" BSP	706	30	40 H9	300	50	16,4	16	26	400	44	15
SE30350	3/8" BSP	706	30	40 H9	350	50	16,4	16	26	450	44	15
SE30400	3/8" BSP	706	30	40 H9	400	50	16,4	16	26	500	44	15
SE30450	3/8" BSP	706	30	40 H9	450	50	16,4	16	26	550	44	15
SE30550	3/8" BSP	706	30	40 H9	550	50	16,4	16	26	650	44	15
SE30700	3/8" BSP	706	30	40 H9	700	50	16,4	16	26	800	44	15
SE40200	3/8" BSP	1.250	40	50 H9	200	60	22,4	22	32	330	48	22
SE40250	3/8" BSP	1.250	40	50 H9	250	60	22,4	22	32	380	48	22
SE40300	3/8" BSP	1.250	40	50 H9	300	60	22,4	22	32	430	48	22
SE40350	3/8" BSP	1.250	40	50 H9	350	60	22,4	22	32	480	48	22
SE40400	3/8" BSP	1.250	40	50 H9	400	60	22,4	22	32	530	48	22
SE40450	3/8" BSP	1.250	40	50 H9	450	60	22,4	22	32	580	48	22
SE40500	3/8" BSP	1.250	40	50 H9	500	60	22,4	22	32	630	48	22
SE40550	3/8" BSP	1.250	40	50 H9	550	60	22,4	22	32	680	48	22
SE40600	3/8" BSP	1.250	40	50 H9	600	60	22,4	22	32	730	48	22
SE40700	3/8" BSP	1.250	40	50 H9	700	60	22,4	22	32	830	48	22

*** Review attached PDF***



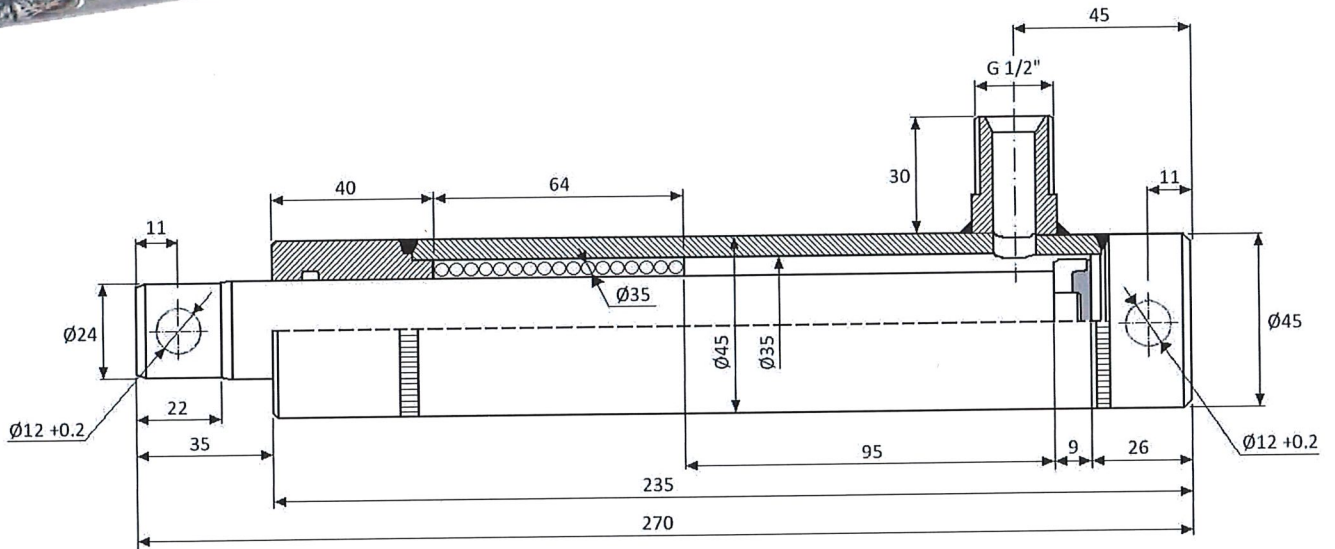
Maximum work pressure 210 bar
Temperature -30°C a 110°C

Part nº	R1	Kg/100 bar	Piston rod	ØPS	Stroke (mm)	ØD	ØF	G	H	I	M	N	O
SE45200	3/8" BSP	1.590	45	50 H9	200	60	23,4	22	34	330	75	47	70
SE45300	3/8" BSP	1.590	45	50 H9	300	60	23,4	22	34	430	75	47	70
SE45400	3/8" BSP	1.590	45	50 H9	400	60	23,4	22	34	530	75	47	70
SE45550	3/8" BSP	1.590	45	50 H9	550	60	23,4	22	34	680	75	47	70
SE45700	3/8" BSP	1.590	45	50 H9	700	60	23,4	22	34	830	75	47	70
SE50200	3/8" BSP	1.960	50	55 H9	200	65	25,5	25	49	360	80	50	75
SE50300	3/8" BSP	1.960	50	55 H9	300	65	25,5	25	49	460	80	50	75
SE50400	3/8" BSP	1.960	50	55 H9	400	65	25,5	25	49	560	80	50	75
SE50550	3/8" BSP	1.960	50	55 H9	550	65	25,5	25	49	710	80	50	75
SE50700	3/8" BSP	1.960	50	55 H9	700	65	25,5	25	49	860	80	50	75
SE55300	3/8" BSP	2.370	55	60 H9	300	70	25,5	25	41	460	95	50	85
SE55550	3/8" BSP	2.370	55	60 H9	550	70	25,5	25	41	710	95	50	85
SE55700	3/8" BSP	2.370	55	60 H9	700	70	25,5	25	41	860	95	50	85
SE60200	3/8" BSP	2.820	60	65 H9	200	75	25,5	25	36	360	95	50	89
SE60300	3/8" BSP	2.820	60	65 H9	300	75	25,5	25	36	460	95	50	89
SE60400	3/8" BSP	2.820	60	65 H9	400	75	25,5	25	36	560	95	50	89
SE60550	3/8" BSP	2.820	60	65 H9	550	75	25,5	25	36	710	95	50	89
SE60700	3/8" BSP	2.820	60	65 H9	700	75	25,5	25	36	860	95	50	89

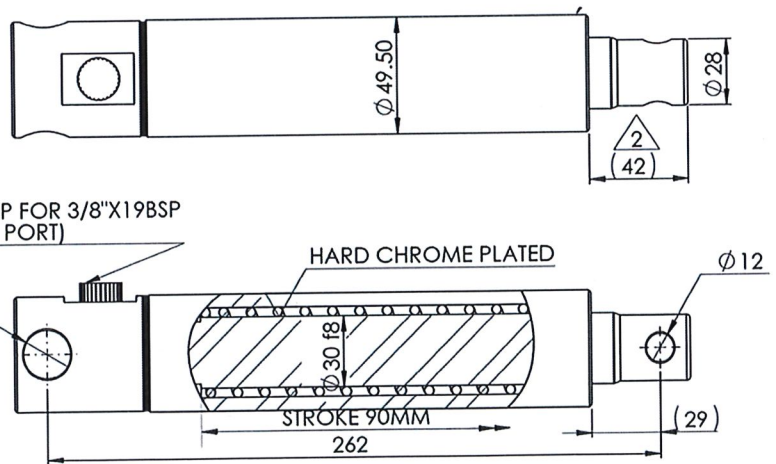
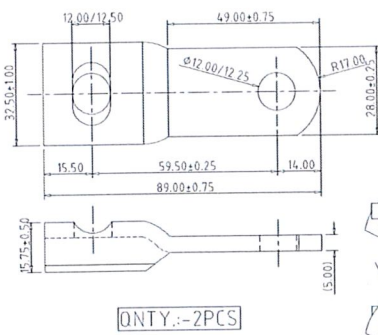
*** Review attached PDF***



FRENO



FRENO30



Part n°	Details	Type	Piston rod	Stroke (mm)
FRENO	Trailer brake	SINGLE ACTING	25	95
FRENO30	Trailer brake	SINGLE ACTING	30	90

FRENO30: Rod clevis included