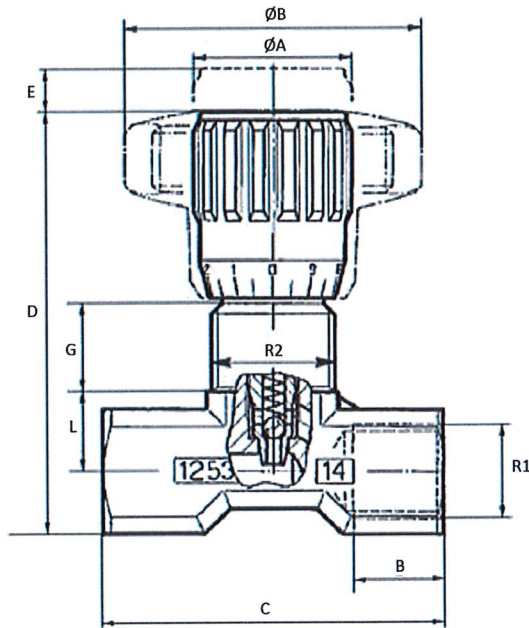


## Unidirectional flow restrictor valve short, 210bar F-F-chromed



**Working temperature:** -20°C \ 100°C

**Body:** OT 58 - UNI 5705 - Nickel plated

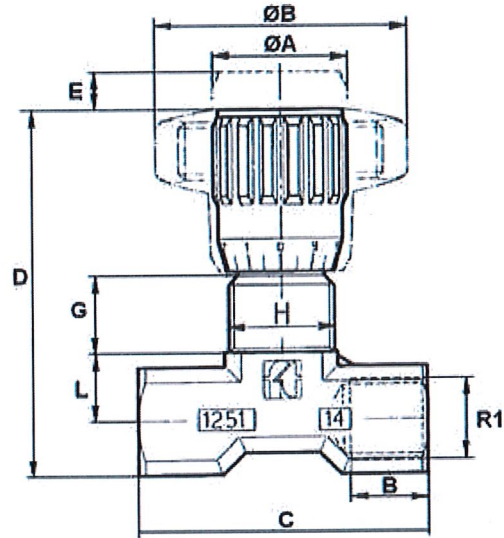
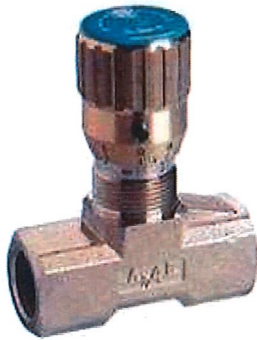
**OR** Nitrile

**Antiextrusion ring:** PTFE

Part n°	R1	R2	Max. flow (l/min)	Max. Press. (bar)	Filtration degree	ØA	ØB	B	C	D	E	G	L
FT1253U04	1/4" BSP	M17X1	9	210	25	Ø22	Ø40	12	46	57	4,5	11,5	11,5
FT1253U06	3/8" BSP	M20X1	22	210	25	Ø27	Ø50	13	55	69	7	12,5	15
FT1253U08	1/2" BSP	M25X1,5	35	210	25	Ø33	Ø70	16	70	82	10	13	19

\*\*\* Review attached PDF\*\*\*

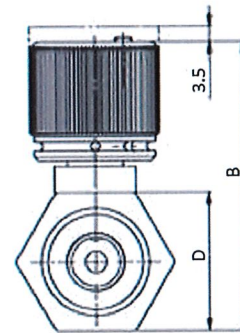
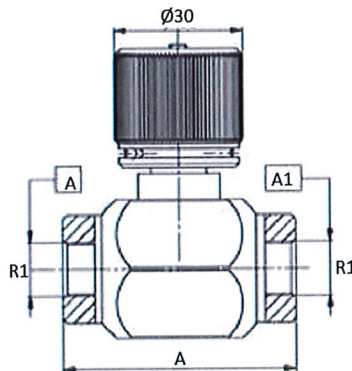
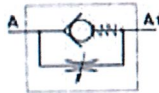
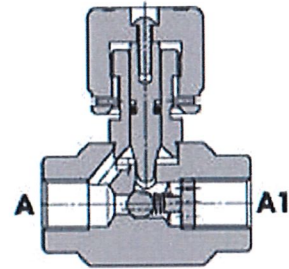
## Bidirectional flow restrictor valve 210 bar F-F Chromed



Working temperature: -20°C \ 100°C

Part n°	R1	R2	Max. flow (l/min)	Max. Press. (bar)	Filtration degree	ØA	ØB	B	C	D	E	G	L
FT1251B0104	1/4" BSP	M17X1	12	210	25	Ø22	Ø40	12	46	57	4,5	11,5	11,5
FT1251B0106	3/8" BSP	M20X1	30	210	25	Ø27	Ø50	13	55	69	7	12,5	15
FT1251B0108	1/2" BSP	M25X1,5	60	210	25	Ø33	Ø70	16	70	82	10	13	19

\*\*\* Review attached PDF\*\*\*



**Materials:** Body and internal parts are steel made. External surface is zinc plated.

**Rated flow:** 40 l/min

**Max.pressure:** 300 bar

**Cracking press.check valve:** 0,5 bar standard

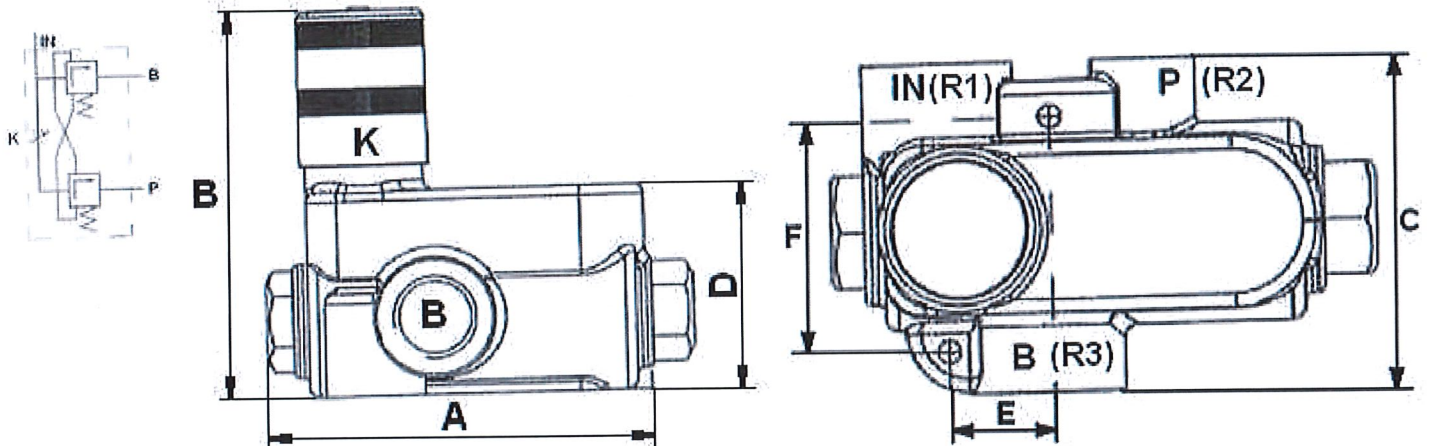
Part n°	R1	Max. flow (l/min)	Max. Press. (bar)	A	B	D
FPSU 1/4	1/4" BSP	12	300	54	64	32
FPSU 3/8	3/8" BSP	25	300	62	64	32
FPSU 1/2	1/2" BSP	40	280	62	64	32

\*\*\* Review attached PDF\*\*\*

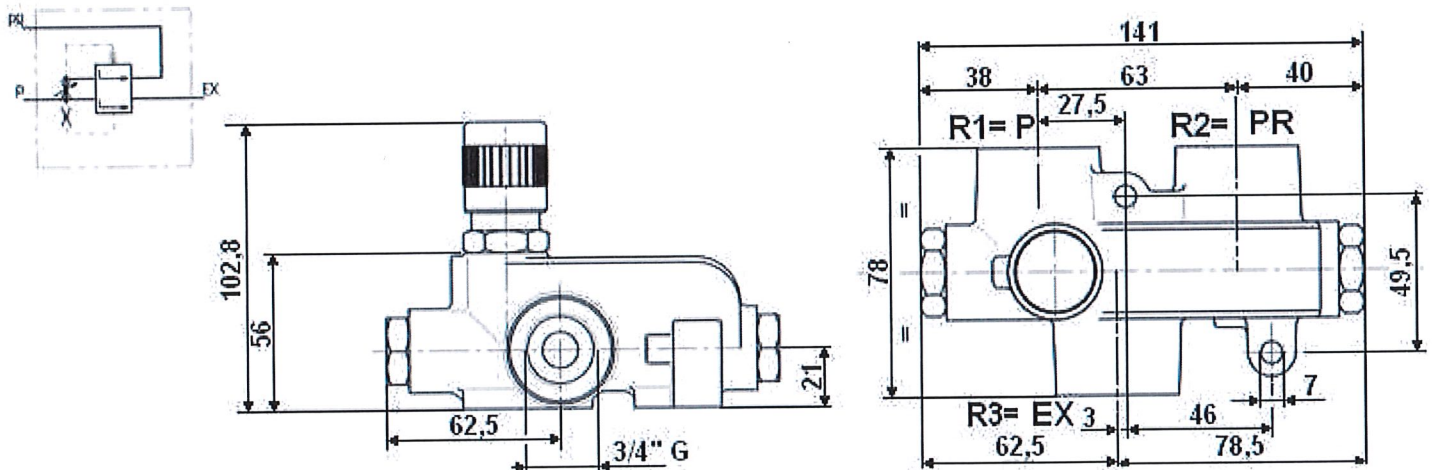




**RF40P, RF70P**



**RF90P**



**RF90P - Maximum priority** 75 L/min  
flow:

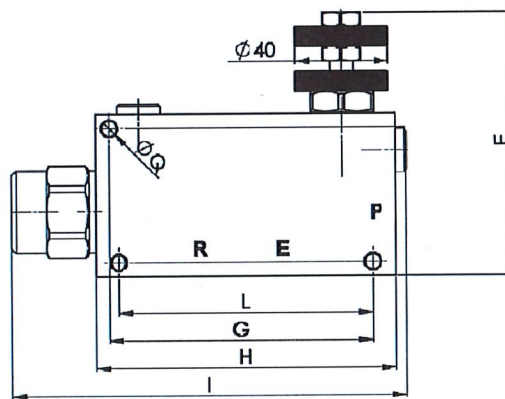
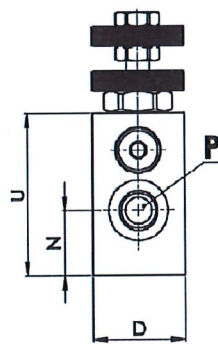
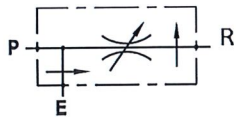
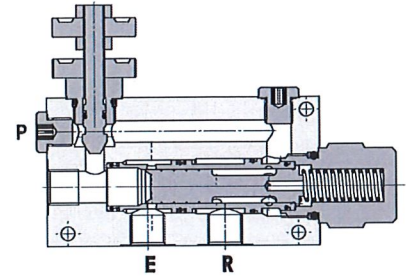
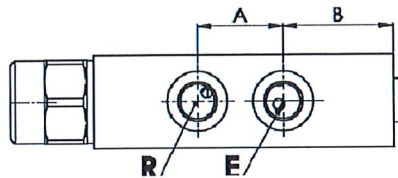
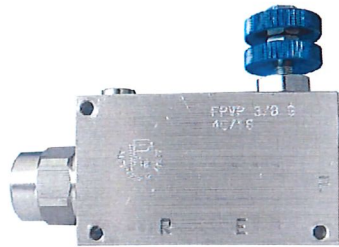
Part n°	R1	R2	R3	Max. flow (l/min)	Max. Press. (bar)	Filtration degree	A	B	C	D	E	F
<b>RF40P</b>	1/2" BSP	3/8" BSP	1/2" BSP	40	250	25	87	98	65	53	22,5	46
<b>RF70P</b>	3/4" BSP	1/2" BSP	3/4" BSP	80	250	25	106	101	80	105	24,5	52
<b>RF90P</b>	3/4" BSP	3/4" BSP	3/4" BSP	100	250	25						

Hydraulic valves

Flow control valves

## Compensated flow control valve 3 ways - FPVP type (steel)

Page: 1/1

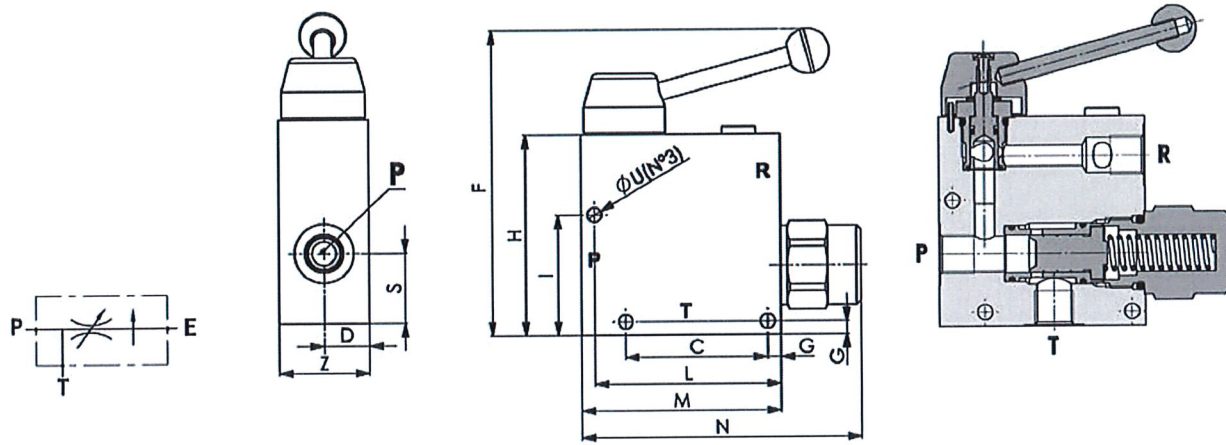


**BODY:** STEEL

Part n°	R1	Max. flow (l/min)	Max. reg. flow (l/min)	Max. Press. (bar)	A	B	D	F	G	H	I	L	N	U
FPVP 3/8 S G	3/8	50	30	350	37	48	40	113,7	114	130	171,3	110	28	70
FPVP 1/2 S G	1/2	90	50	350	37	48	40	113,7	114	130	171,3	110	28	70
FPVP 3/4 S G	3/4	150	90	350	44	57	50	139,5	135	155	194,8	-	35	90

# Compensated flow control valve- FPRF type with lever

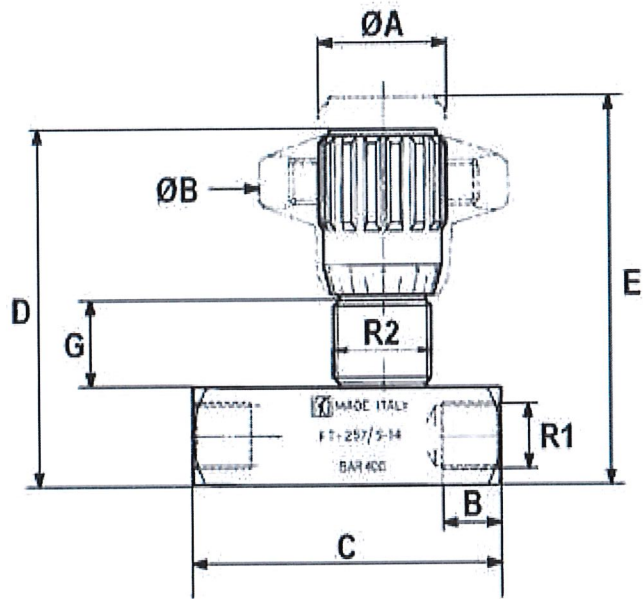
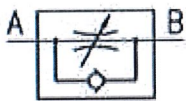
FPRF 1/2 H



Part n°	R1	Max. flow (l/min)	Max. reg. flow (l/min)	Max. Press. (bar)	C	D	F	G	H	I	L	M	N	S	Z
FPRF 1/2 H	1/2"BSPP	90	50	250	64	20	133,5	6	90	54	78	90	126,5	31	40

Material: aluminium





**Working temperature:** -20°C \ 100°C  
**Body:** 9 S Mn Pb 23 - UNI 5105  
**OR:** Nitrile  
**Antiextrusion ring:** PTFE

Part n°	R1	R2	Max. flow (l/min)	Max. Press. (bar)	Burst pressure (bar)	Filtration degree	ØA	ØB	B	C	D	E	G
<b>FT257502</b>	1/8" BSP	M17X1	6	400	1.600	25	Ø22	Ø40	8,5	50	59	64	13,5
<b>FT257504</b>	1/4" BSP	M20X1	14	400	1.600	25	Ø27	Ø50	12,5	66	71	78	17
<b>FT257506</b>	3/8" BSP	M25X1,5	32	400	1.600	25	Ø33	Ø70	12,5	79	84	93	19,5
<b>FT257508</b>	1/2" BSP	M30X1,5	48	400	1.600	25	Ø38	Ø80	15,5	94,5	97	107	21
<b>FT257512</b>	3/4" BSP	M40X1,5	80	400	1.600	25	Ø47	Ø100	17	115	120,5	132,5	26,5
<b>FT257516</b>	1" BSP	M50X1,5	180	320	1.300	25	Ø58	Ø120	20	138,5	151,5	167,5	35
<b>FT257520</b>	1 1/4" BSP	M50X1,5	200	320	1.300	25	Ø58	Ø120	22	157	156,5	172,5	35
<b>FT257524</b>	1 1/2" BSP	M55X2	210	320	1.300	25	Ø58	Ø120	24	190	167	181	35

\*\*\* Review attached PDF\*\*\*