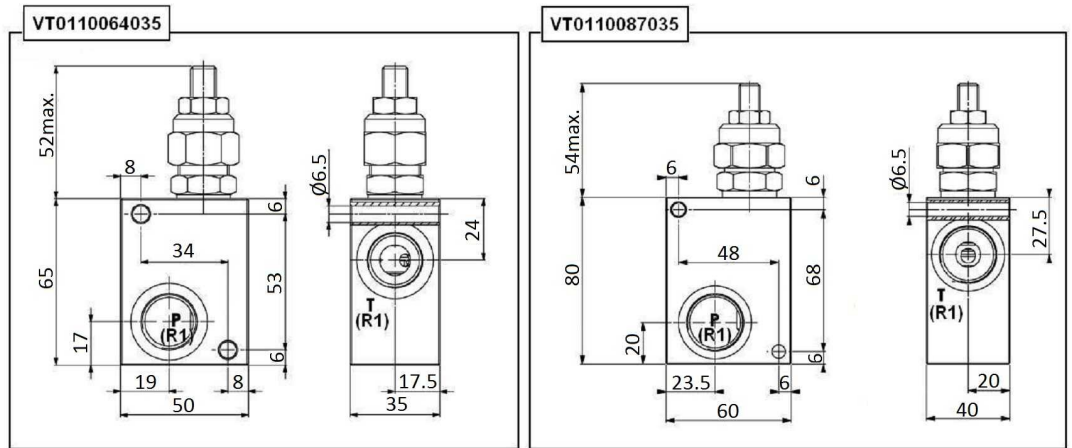
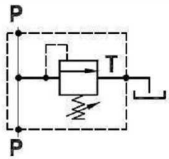
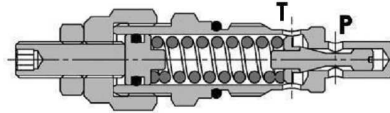
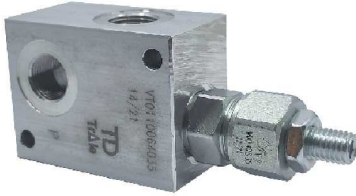


Hydraulic valves

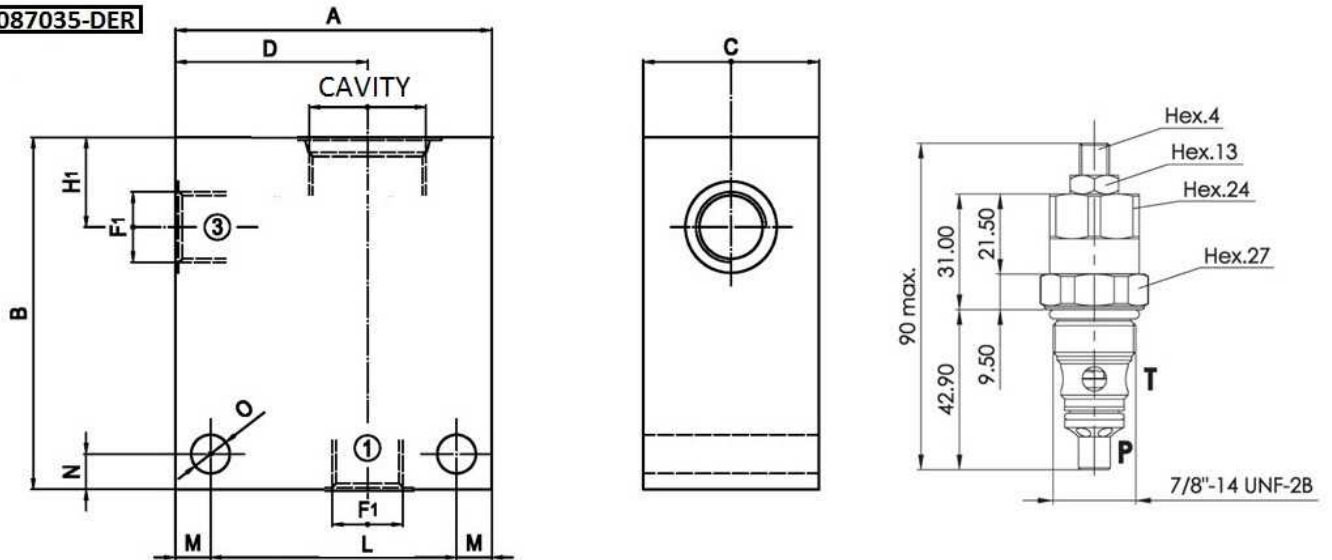
Pressure relief valves

Pressure relief valve in line (control screw)

Page: 1/2



VT0110087035-DER



	CAVITY	CAVITY CODE	A	B	C	D	F1	H1	L	M	N	O
VT0110087035-DER	SAE 10	33101	60	65	35	35	1/2" BSP	18	48	6	7	7

Part n°	R1	Max. flow (l/min)	Max. Press. (bar)	Setting (bar)	Reg. rate (bar)	Press. increase (bar/turn)	Install. torque	Cartridge weight (kg)	Cartridge +body weight	Colour
VT0110064020	3/8" BSP	40	250	50	50-220	40	45 - 50	0,17	0,41	Verde/Green
VT0110064035	3/8" BSP	40	250	80	80-350	80	45 - 50	0,17	0,41	Rojo/Red
VT0110087020	3/4" BSP	70	250	80	80 - 280	40	70 - 75	0,29	0,73	Verde/Green

Hydraulic valves

Pressure relief valves

Pressure relief valve in line (control screw)

Page: 2/2

Part nº	R1	Max. flow (l/min)	Max. Press. (bar)	Setting (bar)	Reg. rate (bar)	Press. increase (bar/turn)	Install. torque	Cartridge weight (kg)	Cartridge +body weight	Colour
VT0110087035	1/2" BSP	70	250		120 - 320	50	70 - 75	0,29	0,73	Rojo/Red
VT0110087035-DER	1/2" BSP	70	250		120 - 320	50	70 - 75	0,29	0,73	Rojo/Red