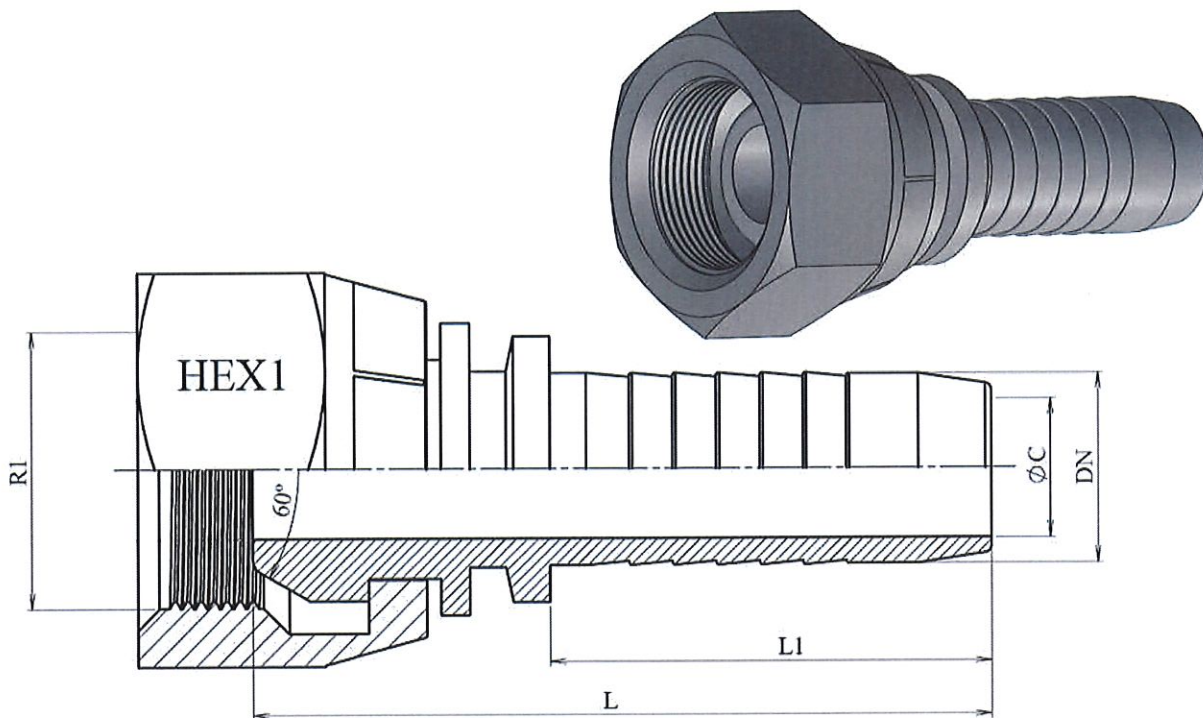


**BSP Swivel female 60° cone**

Mild Steel 1.0737 (or equivalent)

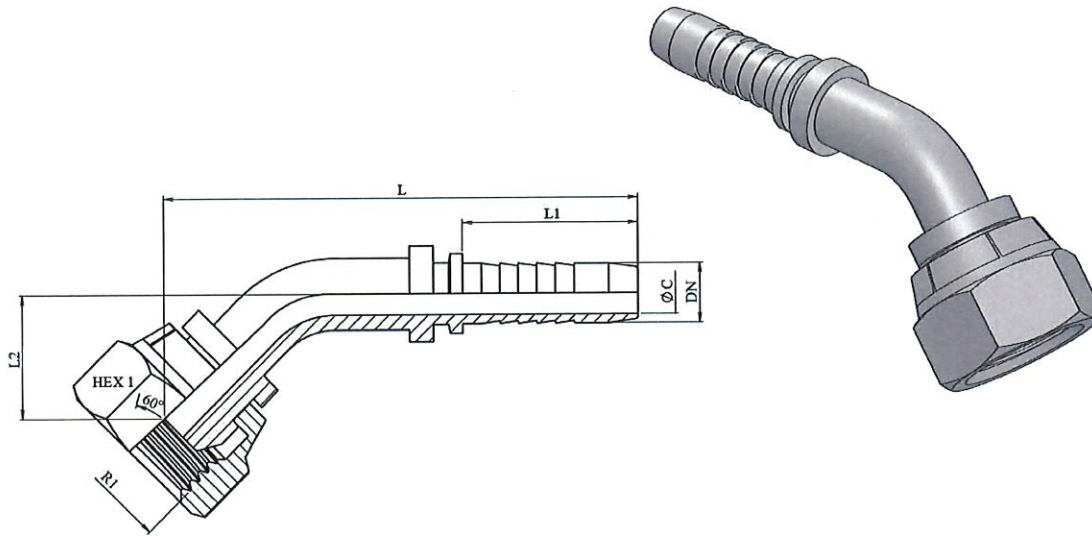
1/2



Part n°	DN	R1	L	L1	HEX 1	ØC
241000202	1/8"	1/8" BSP	36	22	14	2
241000203	3/16"	1/8" BSP	38	24	14	3
241000204	1/4"	1/8" BSP	43,5	28	14	4
241000403	3/16"	1/4" BSP	39,5	24	19	3
241000404	1/4"	1/4" BSP	44	28	19	4
241000405	5/16"	1/4" BSP	44,3	28	19	5,5
241000406	3/8"	1/4" BSP	46	29,5	19	7
241000604	1/4"	3/8" BSP	45,5	28	22	4
241000605	5/16"	3/8" BSP	45,8	28	22	5,5
241000606	3/8"	3/8" BSP	47,5	29,5	22	7
241000608	1/2"	3/8" BSP	50,5	30,5	22	9,5
241000804	1/4"	1/2" BSP	47,5	28	27	4
241000806	3/8"	1/2" BSP	49,5	29,5	27	7
241000808	1/2"	1/2" BSP	51	30,5	27	9,5
241000810	5/8"	1/2" BSP	53,3	34	27	12
241001008	1/2"	5/8" BSP	51,5	30,5	30	9,5
241001010	5/8"	5/8" BSP	55,3	34	30	12
241001208	1/2"	3/4" BSP	54	30,5	32	9,5
241001210	5/8"	3/4" BSP	57,8	34	32	12
241001212	3/4"	3/4" BSP	64	39	32	15
241001612	3/4"	1" BSP	67	39	41	15
241001616	1"	1" BSP	75	47	41	19
241004032	2"	2"1/2 BSP	110	72	84	44
241004040	2"1/2	2" 1/2 BSP	117	81	84	55
241004848	3"	3" BSP	133	95	100	68

**BSP Swivel female 60° cone (45° Elbow)**

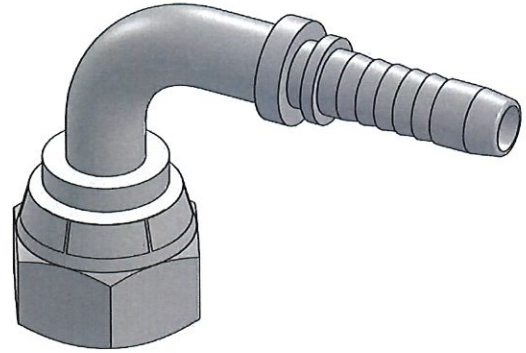
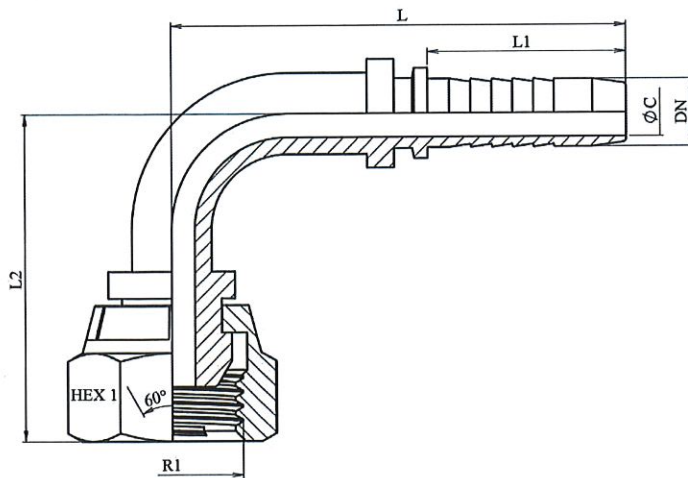
Mild Steel 1.0737 (or equivalent)

**1/1**

Part n°	DN	R1	L	L1	L2	HEX 1	ØC
241080203	3/16"	1/8" BSP	55	24	15	14	3
241080204	1/4"	1/8" BSP	61	28	14	14	4
241080403	3/16"	1/4" BSP	65	24	16	19	3
241080404	1/4"	1/4" BSP	74	28	19	19	4
241080604	1/4"	3/8" BSP	75	28	17	22	4
241080605	5/16"	3/8" BSP	85	28	19	22	5,5
241080606	3/8"	3/8" BSP	88	29,5	20	22	7
241080806	3/8"	1/2" BSP	92	29,5	21,3	27	7
241080808	1/2"	1/2" BSP	98	30,5	22	27	9,5
241081008	1/2"	5/8" BSP	84,5	30,5	24	30	9,5
241081010	5/8"	5/8" BSP	113	34	25	30	12
241081210	5/8"	3/4" BSP	115	34	27	32	12
241081212	3/4"	3/4" BSP	140	39	31	32	15
241081612	3/4"	1" BSP	118,8	39	33	41	15
241081616	1"	1" BSP	168	47	39	41	19

**BSP Swivel female 60° cone (90° Elbow)**

Mild Steel 1.0737 (or equivalent)

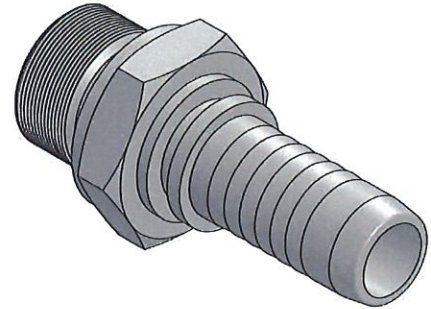
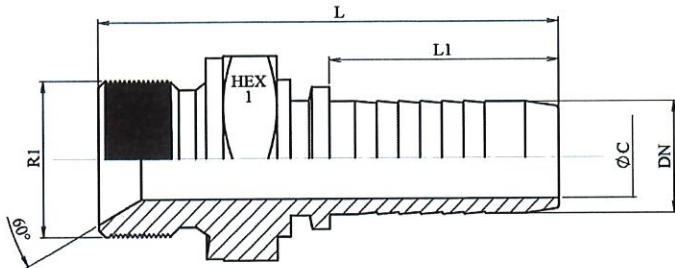


Part n°	DN	R1	L	L1	L2	HEX 1	ØC
241070203	3/16"	1/8" BSP	51	24	26	14	3
241070204	1/4"	1/8" BSP	51	28	25,7	14	4
241070403	3/16"	1/4" BSP	47	24	29	19	3
241070404	1/4"	1/4" BSP	56	28	30	19	4
241070604	1/4"	3/8" BSP	56	28	31	22	4
241070605	5/16"	3/8" BSP	63	28	36	22	5,5
241070606	3/8"	3/8" BSP	68	29,5	38	22	7
241070804	1/4"	1/2" BSP	56	28	33	27	4
241070806	3/8"	1/2" BSP	68	29,5	40	27	7
241070808	1/2"	1/2" BSP	73	30,5	42	27	9,5
241071008	1/2"	5/8" BSP	73	30,5	46	30	9,5
241071010	5/8"	5/8" BSP	84	34	48	30	12
241071208	1/2"	3/4" BSP	72,5	30,5	44	32	9,5
241071210	5/8"	3/4" BSP	84	34	50	32	12
241071212	3/4"	3/4" BSP	103	39	61	32	15
241071612	3/4"	1" BSP	102,9	39	64,5	41	15
241071616	1"	1" BSP	121	47	80	41	19

**BSP Male parallel 60° cone**

Mild Steel 1.0737 (or equivalent)

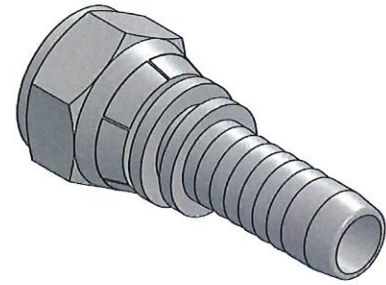
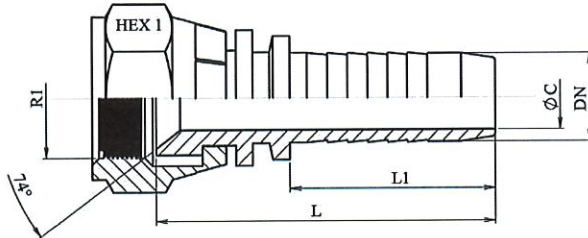
1/1



Part n°	DN	R1	L	L1	HEX 1	ØC
241120203	3/16"	1/8" BSP	42,5	24	14	3
241120204	1/4"	1/8" BSP	47	28	14	4
241120402	1/8"	1/4" BSP	45,5	22	19	2
241120403	3/16"	1/4" BSP	47,5	24	19	3
241120404	1/4"	1/4" BSP	52	28	19	4
241120406	3/8"	1/4" BSP	54	29,5	19	7
241120604	1/4"	3/8" BSP	55,5	28	22	4
241120605	5/16"	3/8" BSP	55,8	28	22	5,5
241120606	3/8"	3/8" BSP	57,5	29,5	22	7
241120608	1/2"	3/8" BSP	59	30,5	22	9,5
241120804	1/4"	1/2" BSP	61,5	28	27	4
241120806	3/8"	1/2" BSP	60,5	29,5	27	7
241120808	1/2"	1/2" BSP	62	30,5	27	9,5
241121008	1/2"	5/8" BSP	62	30,5	27	9,5
241121010	5/8"	5/8" BSP	68,3	34	30	12
241121208	1/2"	3/4" BSP	64,5	30,5	32	9,5
241121210	5/8"	3/4" BSP	68,3	34	32	12
241121212	3/4"	3/4" BSP	74,5	39	32	15
241121612	3/4"	1" BSP	79,5	39	41	15
241121616	1"	1" BSP	87,5	47	41	19
241122016	1"	1"1/4 BSP	89	47	50	19
241122020	1"1/4	1"1/4 BSP	98	54,5	50	26
241122424	1"1/2	1"1/2 BSP	104	58	55	32
241123232	2"	2" BSP	124	72	70	44

**JIC Swivel female 37° cone**

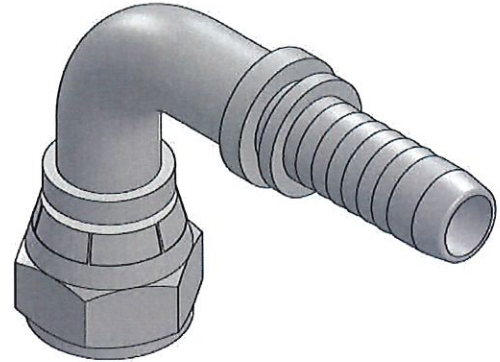
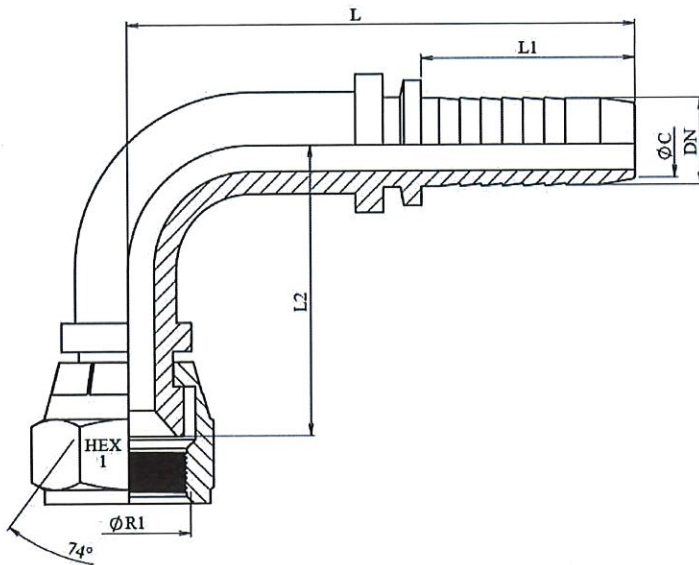
Mild Steel 1.0737 (or equivalent)



Part n°	DN	R1	L	L1	HEX 1	ØC
241420703	3/16"	7/16" 20h UNF	38,5	24	14	3
241420704	1/4"	7/16" 20h UNF	44	28	14	4
241420804	1/4"	1/2" 20h UNF	44,5	28	17	4
241420805	5/16"	1/2" 20h UNF	44,8	28	17	5,5
241420904	1/4"	9/16" 18h UNF	46	28	19	4
241420905	5/16"	9/16" 18h UNF	45,8	28	19	5,5
241420906	3/8"	9/16" 18h UNF	48	29,5	19	7
241421006	3/8"	5/8" 18h UNF	48,5	29,5	22	7
241421205	5/16"	3/4" 16h UNF	47	28	24	5,5
241421206	3/8"	3/4" 16h UNF	49,5	29,5	24	7
241421208	1/2"	3/4" 16h UNF	50,5	30,5	24	9,5
241421406	3/8"	7/8" 14h UNF	49,5	29,5	27	7
241421408	1/2"	7/8" 14h UNF	51	30,5	27	9,5
241421410	5/8"	7/8" 14h UNF	54,8	34	27	12
241421708	1/2"	1"1/16 12h UNF	52,5	30,5	32	9,5
241421710	5/8"	1"1/16 12h UNF	56,3	34	32	12
241421712	3/4"	1"1/16 12h UNF	62,5	39	32	15
241421716	1"	1"1/16 12h UNF	70,5	47	32	19
241422112	3/4"	1"5/16 12h UNF	63,5	39	41	15
241422116	1"	1"5/16 12h UNF	71,5	47	41	19
241422616	1"	1"5/8 12h UNF	74	47	50	19
241422620	1"1/4	1"5/8 12h UNF	83	54,5	50	26
241423020	1"1/4	1"7/8 12h UNF	85,5	54,5	55	26
241423024	1"1/2	1"7/8 12h UNF	89	58	55	32
241424032	2"	2"1/2 12h UNF	102	72	70	44

**JIC Swivel female 37° cone (90° Elbow)**

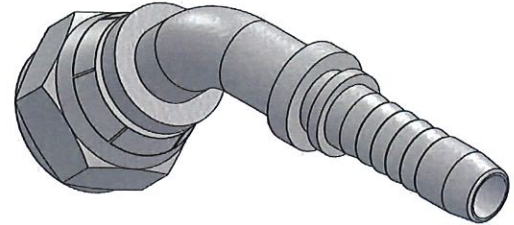
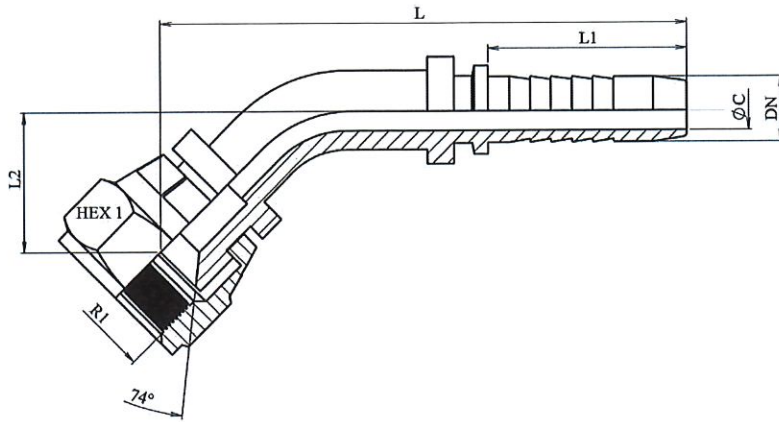
Mild Steel 1.0737 (or equivalent)



Part nº	DN	R1	L	L1	L2	HEX 1	ØC
241380703	3/16"	7/16" 20h UNF	47	24	27	14	3
241380704	1/4"	7/16" 20h UNF	56	28	29	14	4
241380804	1/4"	1/2" 20h UNF	56	28	30	17	4
241380904	1/4"	9/16" 18h UNF	55	28	30	19	4
241380905	5/16"	9/16" 18h UNF	63	28	35	19	5,5
241380906	3/8"	9/16" 18h UNF	68	29,5	38	19	7
241381006	3/8"	5/8" 18h UNF	68	29,5	39	22	7
241381206	3/8"	3/4" 16h UNF	68	29,5	39	24	7
241381208	1/2"	3/4" 16h UNF	73	30,5	41	24	9,5
241381406	3/8"	7/8" 14h UNF	68	29,5	41	27	7
241381408	1/2"	7/8" 14h UNF	73	30,5	43	27	9,5
241381410	5/8"	7/8" 14h UNF	84	34	48	27	12
241381708	1/2"	1"1/16 12h UNF	69	30,5	46	32	9,5
241381710	5/8"	1"1/16 12h UNF	83,8	34	49	32	12
241381712	3/4"	1"1/16 12h UNF	103	39	60	32	15
241382112	3/4"	1"5/16 12h UNF	103	39	61	41	15
241382116	1"	1"5/16 12h UNF	121	47	76	41	19
241382616	1"	1"5/8 12h UNF	121	47	79	50	19
241382620	1"1/4	1"5/8 12h UNF	146	54,5	94	50	26
241383020	1"1/4	1"7/8 12h UNF	146,2	54,5	103	55	26
241383024	1"1/2	1"7/8 12h UNF	182	58	115	55	32
241384032	2"	2"1/2 12h UNF	211	72	128	70	44

**JIC swivel female 37° cone (45° Elbow)**

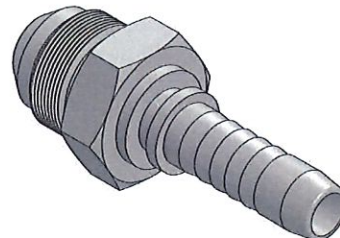
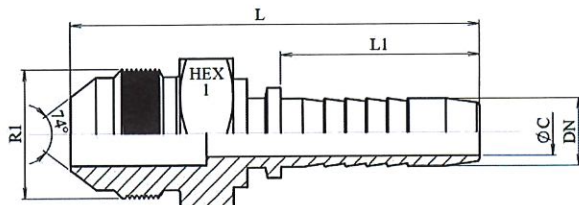
Mild Steel 1.0737 (or equivalent)



Part n°	DN	R1	L	L1	L2	HEX 1	ØC
241390704	1/4"	7/16" 20h UNF	65	28	16	14	4
241390804	1/4"	1/2" 20h UNF	66	28	16	17	4
241390904	1/4"	9/16" 18h UNF	66	28	17	19	4
241390905	5/16"	9/16" 18h UNF	72	28	18	19	5,5
241390906	3/8"	9/16" 18h UNF	77	29,5	20	19	7
241391206	3/8"	3/4" 16h UNF	78	29,5	21	24	7
241391208	1/2"	3/4" 16h UNF	84	30,5	22	24	9,5
241391408	1/2"	7/8" 14h UNF	85	30,5	23	27	9,5
241391410	5/8"	7/8" 14h UNF	97	34	25	27	12
241391708	1/2"	1"1/16 12h UNF	86	30,5	24	32	9,5
241391710	5/8"	1"1/16 12h UNF	97	34	26	32	12
241391712	3/4"	1"1/16 12h UNF	115	39	30	32	15
241392112	3/4"	1"5/16 12h UNF	115	39	30	32	15
241392116	1"	1"5/16 12h UNF	141	47	36	41	19
241392616	1"	1"5/8 12h UNF	143	47	38	50	19
241392620	1"1/4	1"5/8 12h UNF	170	54,5	44	50	26
241393020	1"1/4	1"7/8 12h UNF	177	54,5	51	55	26
241393024	1"1/2	1"7/8 12h UNF	193	58	54	55	32
241394032	2"	2"1/2 12h UNF	235	72	62	70	44

**Male JIC 37° cone**

Mild Steel 1.0737 (or equivalent)



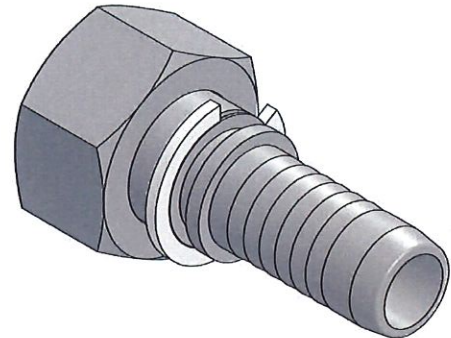
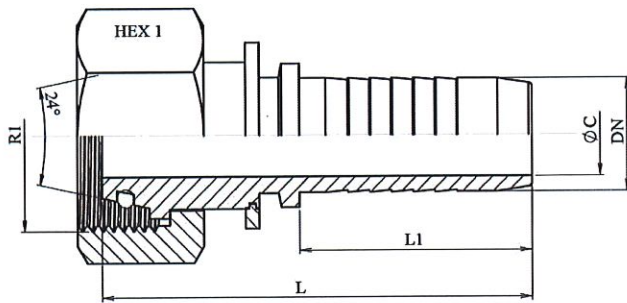
Part nº	DN	R1	L	L1	HEX 1	ØC
241400704	1/4"	7/16" 20h UNF	53,5	28	14	4
241400804	1/4"	1/2" 20h UNF	54	28	14	4
241400805	5/16"	1/2" 20h UNF	54,3	28	17	5,5
241400904	1/4"	9/16" 18h UNF	53,6	28	17	4
241400905	5/16"	9/16" 18h UNF	53,9	28	17	5,5
241400906	3/8"	9/16" 18h UNF	55,6	29,5	17	7
241401206	3/8"	3/4" 16h UNF	61	29,5	22	7
241401208	1/2"	3/4" 16h UNF	62,5	30,5	22	9,5
241401406	3/8"	7/8" 14h UNF	63,3	29,5	24	7
241401408	1/2"	7/8" 14h UNF	64,8	30,5	24	9,5
241401410	5/8"	7/8" 14h UNF	68,6	34	24	12
241401708	1/2"	1"1/16 12h UNF	71,6	30,5	27	9,5
241401710	5/8"	1"1/16 12h UNF	72,3	34	30	12
241401712	3/4"	1"1/16 12h UNF	78,5	39	30	15
241402112	3/4"	1"5/16 12h UNF	80,5	39	36	15
241402116	1"	1"5/16 12h UNF	88,5	47	36	19
241402616	1"	1"5/8 12h UNF	91,5	47	46	19
241402620	1"1/4	1"5/8 12h UNF	100,5	54,5	46	26
241403020	1"1/4	1"7/8 12h UNF	107,8	54,5	55	26
241403024	1"1/2	1"7/8 12h UNF	108	58	50	32
241404032	2"	2"1/2 12h UNF	131,5	72	65	44



## Metric swivel female 24° cone with o'ring

Mild Steel 1.0737 (or equivalent)

1/2



Part n°	DN	ØD1	Serie	R1	L	L1	HEX 1	ØC
24804120603	3/16"	6	L	12X1,5	47,5	24	14	3
24804120604	1/4"	6	L	12X1,5	48,5	28	14*	4
24804140804	1/4"	8	L	14X1,5	52	28	17	4
24804140805	5/16"	8	L	14x1.5	52,3	28	17	5,5
24804140806	3/8"	8	L	14x1.5	51	29,5	17	7
24804161004	1/4"	10	L	16X1,5	52	28	19	4
24804161005	5/16"	10	L	16X1,5	52,3	28	19	5,5
24804161006	3/8"	10	L	16X1,5	52,5	29,5	19*	7
24804181204	1/4"	12	L	18X1,5	53,5	28	22	4
24804181205	5/16"	12	L	18X1,5	53,8	28	22	5,5
24804181206	3/8"	12	L	18X1,5	55,5	29,5	22	7
24804181208	1/2"	12	L	18x1.5	52,8	30,5	22	9,5
24804221504	1/4"	15	L	22x1.5	54	28	27	4
24804221505	5/16"	15	L	22x1.5	54,3	28	27	5,5
24804221506	3/8"	15	L	22X1,5	56	29,5	27	7
24804221508	1/2"	15	L	22X1,5	57,5	30,5	27	9,5
24804261806	3/8"	18	L	26x1.5	57,7	29,5	32	7
24804261808	1/2"	18	L	26X1,5	59,2	30,5	32	9,5
24804261810	5/8"	18	L	26X1,5	63	34	32	12
24804261812	3/4"	18	L	26x1.5	65,5	39	32	15
24804302208	1/2"	22	L	30x2	61,5	30,5	36	9,5
24804302210	5/8"	22	L	30x2				
24804302212	3/4"	22	L	30X2	71,5	39	36	15
24804362812	3/4"	28	L	36x2	71	39	41	15
24804362816	1"	28	L	36X2	79	47	41	19
24804453516	1"	35	L	45x2	81,5	47	50	19
24804453520	1"1/4	35	L	45X2	93,5	54,5	50	26

## Metric swivel female 24° cone with o'ring

Mild Steel 1.0737 (or equivalent)

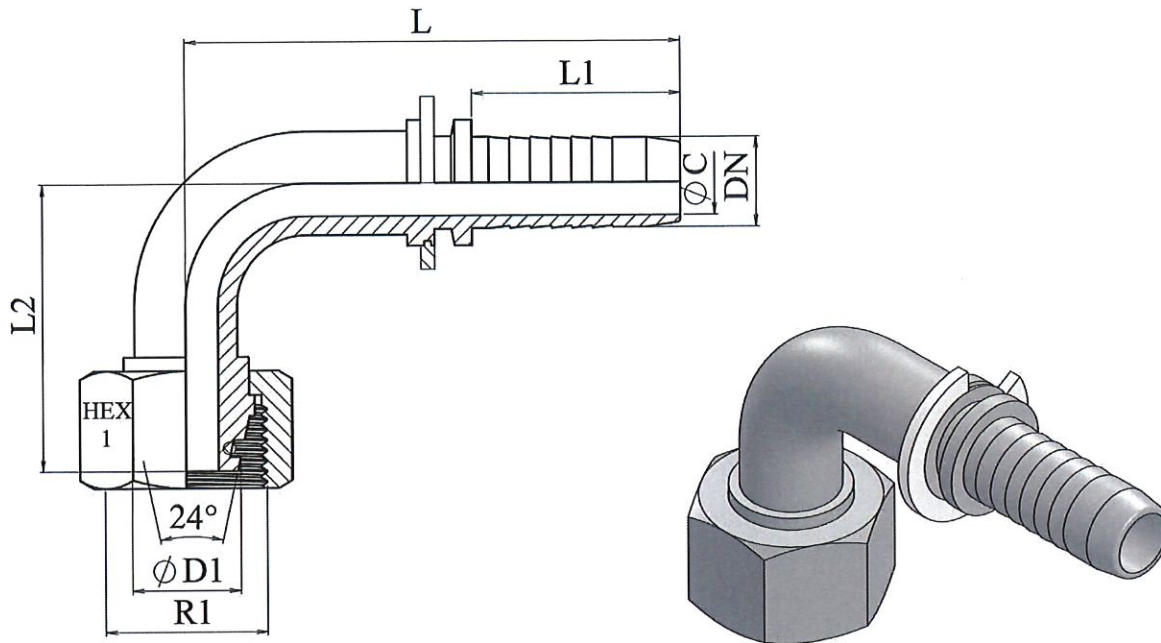
2/2

Part n°	DN	ØD1	Serie	R1	L	L1	HEX 1	ØC
24804524220	1" 1/4	42	L	52X2	93,3	54,5	60	26
24804524224	1"1/2	42	L	52X2	96,8	58	60	32
24804524232	2"	42	L	52x2	107,5	72	60	44
24804140604	1/4"	6	S	14x1.5	50	28	17*	4
24804160803	3/16"	8	S	16X1,5	49	24	19	3
24804160804	1/4"	8	S	16X1,5	53,5	28	19	4
24804160805	5/16"	8	S	16x1.5	50,5	28	19*	5,5
24804160806	3/8"	8	S	16x1.5	52,7	29,5	19	7
24804181004	1/4"	10	S	18X1,5	55	28	22	4
24804181005	5/16"	10	S	18x1.5	55,3	28	22	5,5
24804181006	3/8"	10	S	18x1,5	55	29,5	22	7
24804201204	1/4"	12	S	20x1,5	55	28	24	4
24804201205	5/16"	12	S	20X1,5	55,8	28	24	5,5
24804201206	3/8"	12	S	20X1,5	57	29,5	24	7
24804201208	1/2"	12	S	20X1,5	56	30,5	24*	9,5
24804221405	5/16"	14	S	22x1.5	59,8	28	27	5,5
24804221406	3/8"	14	S	22X1,5	60,8	29,5	27	7
24804221408	1/2"	14	S	22x1,5				
24804241604	1/4"	16	S	24x1.5	57,7	28	30	4
24804241605	5/16"	16	S	24x1.5	57,8	28	30	5,5
24804241606	3/8"	16	S	24x1.5	60	29,5	30	7
24804241608	1/2"	16	S	24X1,5	61	30,5	30	9,5
24804241610	5/8"	16	S	24x1.5	61	34	30	12
24804302006	3/8"	20	S	30x2	63,5	29,5	36	7
24804302008	1/2"	20	S	30x2	65	30,5	36	9,5
24804302010	5/8"	20	S	30X2	68,8	34	36	12
24804302012	3/4"	20	S	30X2	76	39	36	15
24804362508	1/2"	25	S	36x2	69,5	30,5	46	9,5
24804362510	5/8"	25	S	36x2	72,8	34	46	12
24804362512	3/4"	25	S	36X2	79	39	46	15
24804362516	1"	25	S	36X2	87,5	47	46	19
24804423010	5/8"	30	S	42x2	75,3	34	50	12
24804423012	3/4"	30	S	42x2	81,4	39	50	15
24804423016	1"	30	S	42X2	89,5	47	50	19
24804523820	1"1/4	38	S	52x2	102,5	54,5	60	26

\* NOTE: In this reference the nut is pressed

**Metric swivel female 24° cone with o'ring  
(90° Elbow)**

Mild Steel 1.0737 (or equivalent)



Part n°	DN	ØD1	Serie	R1	L	L1	L2	HEX 1	ØC
24305120603	3/16"	6	L	12x1,5	47	24	27	14	3
24305120604	1/4"	6	L	12x1,5	56	28	32	14*	4
24305140804	1/4"	8	L	14x1,5	56	28	32	17	4
24305140805	5/16"	8	L	14x1.5	63	28	40	17	5,5
24305161004	1/4"	10	L	16x1,5	56	28	30	19	4
24305161005	5/16"	10	L	16x1,5	63	28	39	19	5,5
24305161006	3/8"	10	L	16x1,5	60	29,5	40	19*	7
24305181204	1/4"	12	L	18x1,5	56	28	32	22	4
24305181205	5/16"	12	L	18x1,5	63	28	38	22	5,5
24305181206	3/8"	12	L	18x1,5	68	29,5	39	22	7
24305181208	1/2"	12	L	18x1.5	73	30,5	44	22	9,5
24305221506	3/8"	15	L	22x1.5	68	29,5	40	27	7
24305221508	1/2"	15	L	22x1,5	73	30,5	41,5	27	9,5
24305261808	1/2"	18	L	26x1.5	73	30,5	46	32	9,5
24305261810	5/8"	18	L	26x1,5	84	34	51	32	12
24305302210	5/8"	22	L	30x2					
24305302212	3/4"	22	L	30x2	104	39	61	36	15
24305362816	1"	28	L	36x2	121	47	80	41	19
24305453520	1"1/4	35	L	45x2	161	54,5	94	50	26
24305524224	1"1/2	42	L	52x2	178	58	102	60	32
24305140603	3/16"	6	S	14x1.5	47	24	33	17	3
24305160804	1/4"	8	S	16x1,5	56	28	32	19	4
24305160805	5/16"	8	S	16x1.5	63	28	39	19	5,5
24305181004	1/4"	10	S	18x1,5	56	28	33	22	4
24305181005	5/16"	10	S	18x1,5	64	28	38,6	22	5,5
24305181006	3/8"	10	S	18x1,5					
24305201204	1/4"	12	S	20x1,5					

**Metric swivel female 24° cone with o'ring  
(90° Elbow)**

Mild Steel 1.0737 (or equivalent)

Part n°	DN	ØD1	Serie	R1	L	L1	L2	HEX 1	ØC
<b>24305201205</b>	5/16"	12	S	20x1,5	58	28	34	24	5,5
<b>24305201206</b>	3/8"	12	S	20x1,5	68	29,5	40	24	7
<b>24305201208</b>	1/2"	12	S	20x1,5	73	30,5	44,5	24	9,5
<b>24305221406</b>	3/8"	14	S	22x1,5	68	29,5	40	27	7
<b>24305241606</b>	3/8"	16	S	24x1,5	68	29,5	41	30	7
<b>24305241608</b>	1/2"	16	S	24x1,5	73	30,5	43	30	9,5
<b>24305302010</b>	5/8"	20	S	30x2	84	34	53	36	12
<b>24305302012</b>	3/4"	20	S	30x2	104	39	66	36	15
<b>24305362512</b>	3/4"	25	S	36x2	103,9	39	64	46	15
<b>24305362516</b>	1"	25	S	36x2	121	47	82	46	19
<b>24305423010</b>	5/8"	30	S	42x2	83	34	53	50	12
<b>24305423012</b>	3/4"	30	S	42x2	104	39	64	50	15
<b>24305423016</b>	1"	30	S	42x2	121	47	79	50	19
<b>24305523820</b>	1"1/4	38	S	52x2	161	54,5	93	60	26

\* NOTE: In this reference the nut is pressed

Standard series fittings

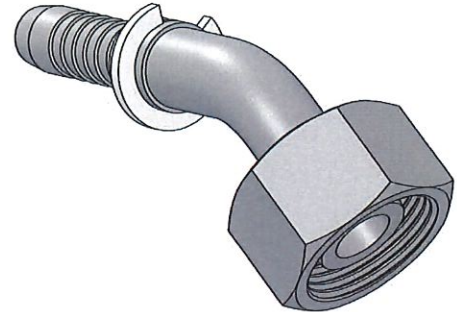
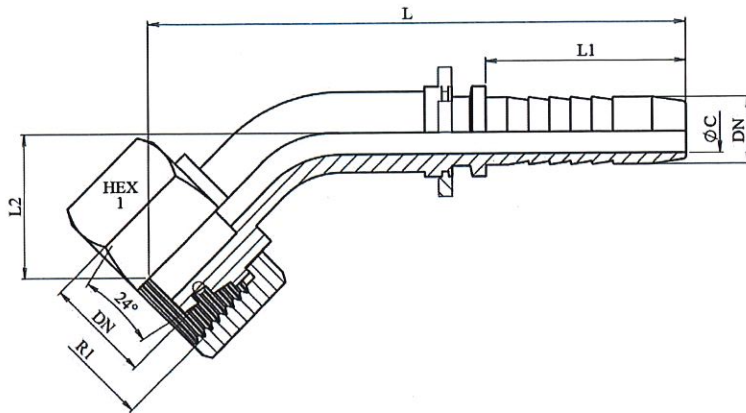
Metric fittings DIN 2353

## Metric swivel female 24° cone with o'ring (45° Elbow)

Mild Steel 1.0737 (or equivalent)

# DICSA

1/2



Part n°	DN	ØD1	Serie	R1	L	L1	L2	HEX 1	ØC
24306120603	3/16"	6	L	12x1,5	59	24	16	14	3
24306120604	1/4"	6	L	12x1,5	71	28	21	14*	4
24306140804	1/4"	8	L	14x1,5	70	28	20	17	4
24306140805	5/16"	8	L	14x1,5	75	28	23	17	5,5
24306161004	1/4"	10	L	16x1,5	67	28	17	19	4
24306161005	5/16"	10	L	16x1,5	74	28	22	19	5,5
24306161006	3/8"	10	L	16x1,5	83	29,5	25	19*	7
24306181204	1/4"	12	L	18x1,5	68	28	18	22	4
24306181205	5/16"	12	L	18x1,5	75	28	22	22	5,5
24306181206	3/8"	12	L	18x1,5	80	29,5	22	22	7
24306181208	1/2"	12	L	18x1,5	89	30,5	27	22	9,5
24306221506	3/8"	15	L	22x1,5	79	29,5	21	27	7
24306221508	1/2"	15	L	22x1,5	87	30,5	26	27	9,5
24306261808	1/2"	18	L	26x1,5	89	30,5	27	32	9,5
24306261810	5/8"	18	L	26x1,5	98	34	27	32	12
24306302210	5/8"	22	L	30x2	99	34	28	36	12
24306302212	3/4"	22	L	30x2	115	39	29	36	15
24306362812	3/4"	28	L	36x2	118	39	31	41	15
24306362816	1"	28	L	36x2	149	47	44	41	19
24306453520	1"1/4	35	L	45x2	170	54,5	44	50	26
24306524224	1"1/2	42	L	52x2	179	58	47	60	32
24306140603	3/16"	6	S	14x1,5	63	24	19	17*	3
24306140604	1/4"	6	S	14x1,5	72	28	22	17	4
24306160804	1/4"	8	S	16x1,5	71	28	21	19	4
24306160805	5/16"	8	S	16x1,5	75	28	22	19	5,5
24306181004	1/4"	10	S	18x1,5	72	28	22	22	4
24306181005	5/16"	10	S	18x1,5	73	28	20	22	5,5

The information gathered in this technical documentation (Catalogue) has an informative character and can be modified without previous notice. DICSA will not accept any type of responsibility resulting from an inappropriate use of the product, except the ones related to manufacturing defects.

Printed on: 18/09/2021 at 00:43

**Metric swivel female 24° cone with o'ring (45° Elbow)**

Mild Steel 1.0737 (or equivalent)

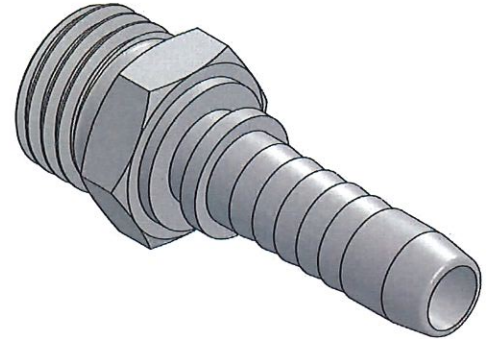
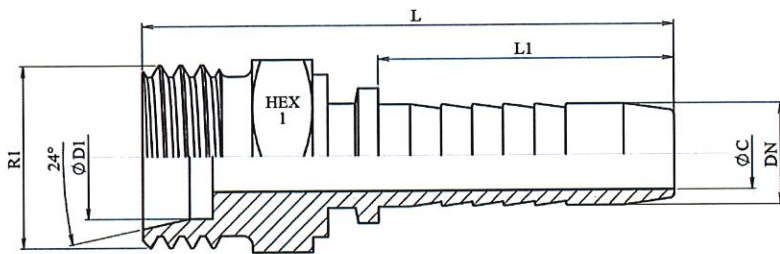
Part nº	DN	ØD1	Serie	R1	L	L1	L2	HEX 1	ØC
24306181006	3/8"	10	S	18x1.5	80	29,5	22	22	7
24306201204	1/4"	12	S	20x1.5	69	28	19	24	4
24306201205	5/16"	12	S	20x1,5	67,5	28	18	24	5,5
24306201206	3/8"	12	S	20x1,5	81	29,5	23	24	7
24306201208	1/2"	12	S	20x1.5	89	30,5	27	24	9,5
24306221406	3/8"	14	S	22x1,5	73,5	29,5	20,5	27	7
24306241606	3/8"	16	S	24x1.5	80	29,5	22	30	7
24306241608	1/2"	16	S	24x1,5	87	30,5	25	30	9,5
24306302010	5/8"	20	S	30x2	100	34	29	36	12
24306302012	3/4"	20	S	30x2	119	39	32	36	15
24306362512	3/4"	25	S	36x2	119	39	32	46	15
24306362516	1"	25	S	36x2	148	47	44	46	19
24306423012	3/4"	30	S	42x2	117	39	30	50	15
24306423016	1"	30	S	42x2	143	47	38	50	19
24306523820	1"1/4	38	S	52x2	170	54,5	44	60	26

\* NOTE: In this reference the nut is pressed

## Male stud Metric thread 24° cone

Mild Steel 1.0737 (or equivalent)

1/2



Part n°	DN	ØD1	Serie	R1	L	L1	HEX 1	ØC
24203120603	3/16"	6	L	12x1,5	43	24	12	3
24203120604	1/4"	6	L	12x1,5	47,5	28	12	4
24203140804	1/4"	8	L	14x1,5	49	28	17	4
24203161004	1/4"	10	L	16x1,5	52	28	17	4
24203161005	5/16"	10	L	16x1,5	52,3	28	17	5,5
24203161006	3/8"	10	L	16x1,5	54	29,5	17	7
24203181204	1/4"	12	L	18x1,5	53	28	19	4
24203181205	5/16"	12	L	18x1,5	53,3	28	19	5,5
24203181206	3/8"	12	L	18x1,5	53	29,5	19	7
24203221506	3/8"	15	L	22x1,5	54	29,5	24	7
24203221508	1/2"	15	L	22x1,5	55,5	30,5	24	9,5
24203261808	1/2"	18	L	26x1,5	57,5	30,5	27	9,5
24203261810	5/8"	18	L	26x1,5	61,3	34	27	12
24203302212	3/4"	22	L	30x2	69	39	32	15
24203362816	1"	28	L	36x2	78	47	41	19
24203453520	1"1/4	35	L	45x2	91	54,5	46	26
24203524224	1"1/2	42	L	52x2	95,5	58	55	32
24203160804	1/4"	8	S	16x1,5	52	28	17	4
24203181004	1/4"	10	S	18x1,5	54	28	19	4
24203181005	5/16"	10	S	18x1,5	54,3	28	19	5,5
24203181006	3/8"	10	S	18x1,5	56	29,5	19	7
24203201205	5/16"	12	S	20x1,5	58,3	28	22	7
24203201206	3/8"	12	S	20x1,5	60	29,5	22	7
24203221406	3/8"	14	S	22x1,5	59,5	29,5	24	7
24203241608	1/2"	16	S	24x1,5	61,5	30,5	27	9,5
24203302010	5/8"	20	S	30x2	69,3	34	32	12
24203302012	3/4"	20	S	30x2	75,5	39	32	15

Standard series fittings  
Metric fittings DIN 2353



## Male stud Metric thread 24° cone

Mild Steel 1.0737 (or equivalent)

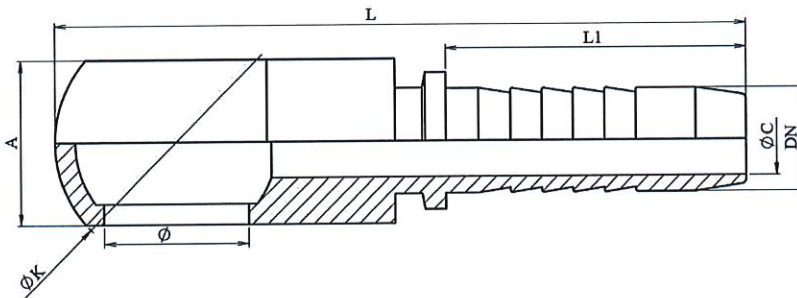
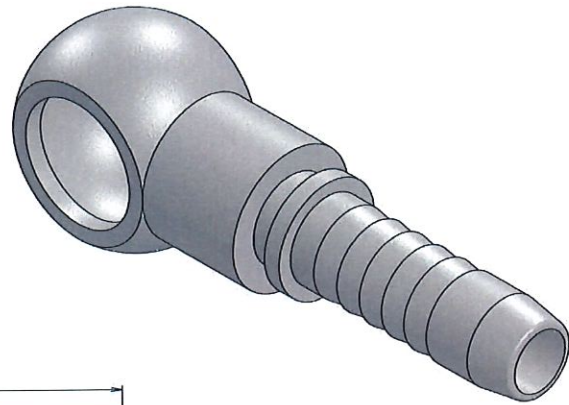
2/2

Part n°	DN	ØD1	Serie	R1	L	L1	HEX 1	ØC
24203362512	3/4"	25	S	36x2	79	39	41	15
24203362516	1"	25	S	36x2	87	47	41	19
24203423016	1"	30	S	42x2	90	47	46	19
24203523820	1"1/4	38	S	52x2	101	54,5	55	26



## Banjo metric

Mild Steel 1.0737 (or equivalent)

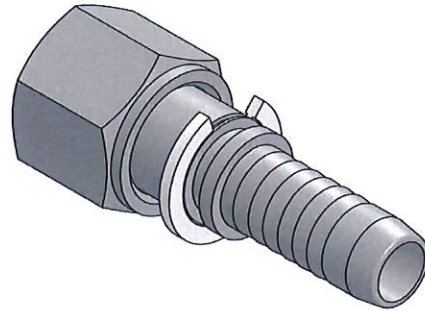
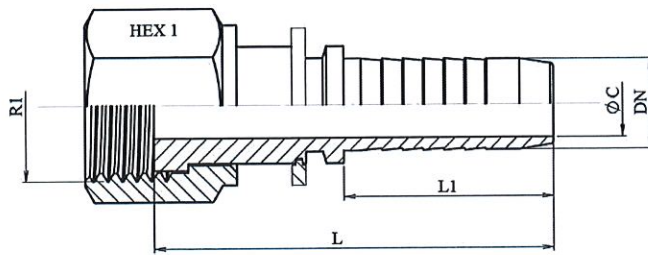


Part nº	DN	Ø	L	L1	ØC	A	K
241161003	3/16"	M10x1	53,5	24	3	10	17
241161004	1/4"	M10x1	57	28	4	11	17
241161005	5/16"	M10x1					
241161202	1/8"	M12x1	55,4	22	2	11	20
241161203	3/16"	M12x1.5	57,4	24	3	11	20
241161204	1/4"	M12x1.5	67,2	28	4	14	20
241161404	1/4"	M14x1.5	67,2	28	4	14	24
241161405	5/16"	M14x1.5	68,1	28	5,5	17	24
241161406	3/8"	M14x1.5	68	29,5	7	16	24
241161605	5/16"	M16x1.5	68,1	28	5,5	17	28
241161606	3/8"	M16x1.5	73,8	29,5	7	17	28
241161806	3/8"	M18x1.5	74,1	29,5	7	20	32
241161808	1/2"	M18x1.5	75,8	30,5	9,5	20	32
241162208	1/2"	M22x1.5	83,5	30,5	9,5	23,5	36
241162210	5/8"	M22x1.5	87,3	34	12	23,5	36
241163012	3/4"	M30x2	106	39	15	30	50

**ORFS Swivel female straight flat seat**

Mild Steel 1.0737 (or equivalent)

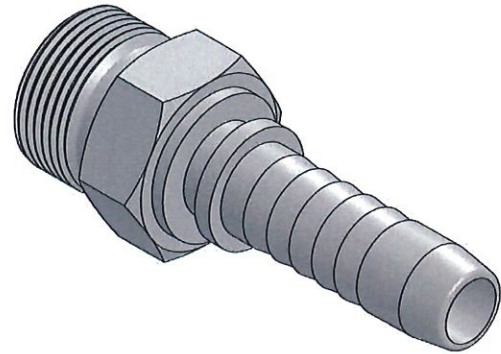
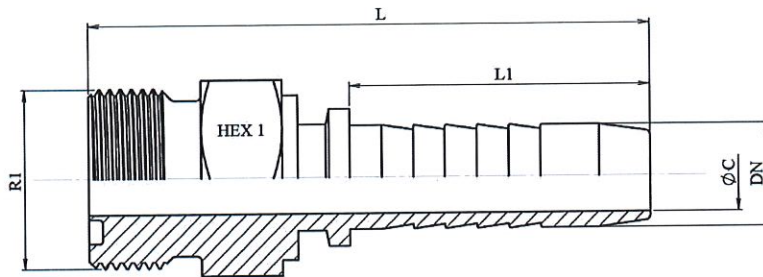
1/1



Part n°	DN	R1	L	L1	HEX 1	ØC
449000404	1/4"	9/16" 18h UNF	50	28	17	4
449000604	1/4"	11/16" 16h UNF	51,5	28	22	4
449000605	5/16"	11/16" 16h UNF	51,8	28	22	5,5
449000606	3/8"	11/16" 16h UNF	53,5	29,5	22	7
449000806	3/8"	13/16" 16h UNF	56,5	29,5	24	7
449000808	1/2"	13/16" 16h UNF	58	30,5	24	9,5
449001008	1/2"	1" 14h UNF	61,5	30,5	30	9,5
449001010	5/8"	1" 14h UNF	65,5	34	30	15,5
449001208	1/2"	1" 3/16 12h UNF	63,5	30,5	36	9,5
449001212	3/4"	1"3/16 12h UNF	73,5	39	36	15
449001612	3/4"	1" 7/16 12h UNF	74,5	39	41	15
449001616	1"	1"7/16 12h UNF	82,5	47	41	19
449002020	1"1/4	1"11/16 12h UNF	91,5	54,5	50	26
449002424	1"1/2	2" 12h UNF	96,5	58	60	32

**ORFS Male flat seat + o'ring**

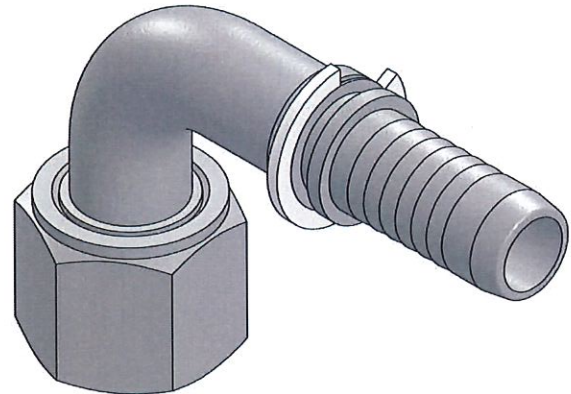
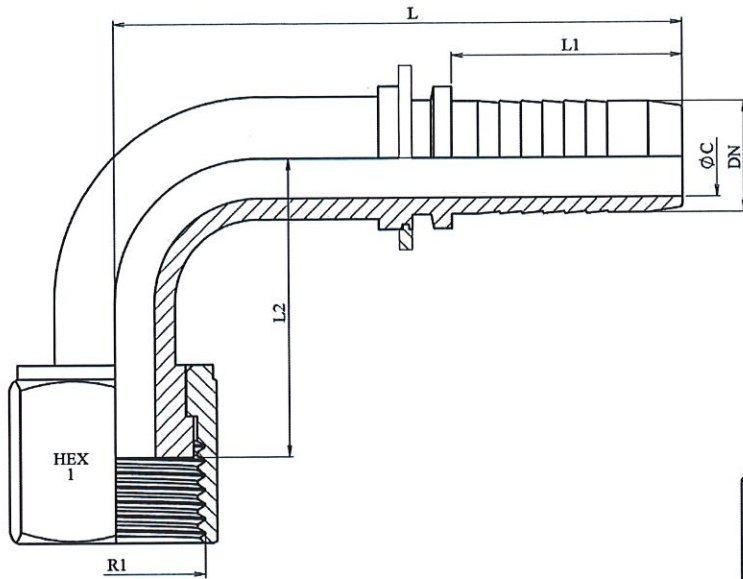
Mild Steel 1.0737 (or equivalent)



Part nº	DN	R1	L	L1	HEX 1	ØC
449120404	1/4"	9/16" 18h UNF	50,5	28	17	4
449120604	1/4"	11/16" 16h UNF	53	28	19	4
449120605	5/16"	11/16" 16h UNF	53,5	28	19	5,5
449120606	3/8"	11/16" 16h UNF	55	29,5	19	7
449120806	3/8"	13/16" 16h UNF	58	29,5	22	7
449120808	1/2"	13/16" 16h UNF	59,5	30,5	22	9,5
449121008	1/2"	1" 14h UNF	62,5	30,5	27	9,5
449121010	5/8"	1" 14h UNF	67,3	34	27	12
449121208	1/2"	1"3/16 12h UNF	65	30,5	32	9,5
449121212	3/4"	1"3/16 12h UNF	75	39	32	15
449121612	3/4"	1"7/16 12h UNF	77,5	39	41	15
449121616	1"	1"7/16 12h UNF	86	47	41	19
449122020	1"1/4"	1"11/16-12h UNF	95	54,5	46	26

**ORFS Swivel female flat seat (90° Elbow)**

Mild Steel 1.0737 (or equivalent)

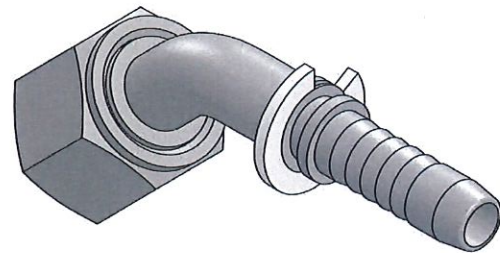
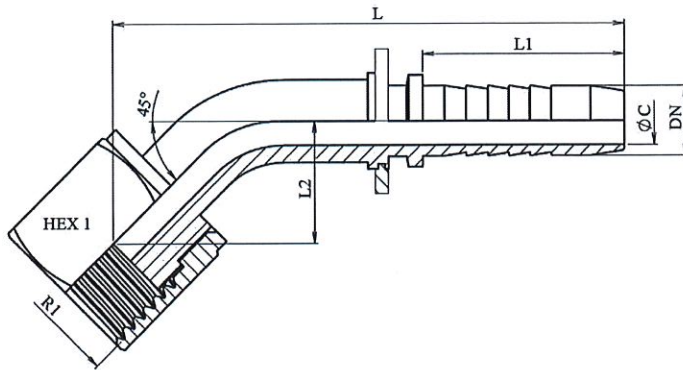
**1/1**

Part n°	DN	R1	L	L1	L2	HEX 1	ØC
449070404	1/4"	9/16" 18h UNF	56	28	25	17	4
449070604	1/4"	11/16" 16h UNF	56	28	27	22	4
449070605	5/16"	11/16" 16h UNF	63	28	31	22	5,5
449070606	3/8"	11/16" 16h UNF	68	29,5	34	22	7
449070806	3/8"	13/16" 16h UNF	68	29,5	35	24	7
449070808	1/2"	13/16" 16h UNF	73	30,5	37	24	9,5
449071008	1/2"	1" 14h UNF	73	30,5	39	30	9,5
449071010	5/8"	1" 14h UNF	84	34	44	30	12
449071208	1/2"	1"3/16-12h UNF	73	30,5	40	36	9,5
449071212	3/4"	1"3/16 12h UNF	104	39	56	36	15
449071612	3/4"	1" 7/16 12h UNF	104	39	57	41	15
449071616	1"	1"7/16 12h UNF	121	47	72	41	19
449072020	1"1/4	1"11/16 12h UNF	146	54,5	87	50	26
449072424	1"1/2	2" 12h UNF	163	58	92	60	32

**ORFS Swivel female (45° Elbow) flat seat**

Mild Steel 1.0737 (or equivalent)

1/1



Part n°	DN	R1	L	L1	L2	HEX 1	ØC
449080404	1/4"	9/16" 18h UNF	62	28	13	17	4
449080604	1/4"	11/16" 16h UNF	63	28	14	22	4
449080605	5/16	11/16" 16h UNF	67	28	16	22	5,5
449080606	3/8"	11/16" 16h UNF	75	29,5	17	22	7
449080806	3/8"	13/16" 16h UNF	75	29,5	18	24	7
449080808	1/2"	13/16" 16h UNF	80	30,5	19	24	9,5
449081008	1/2"	1" 14h UNF	81	30,5	20	30	9,5
449081010	5/8"	1" 14h UNF	93	34	22	30	12
449081208	1/2"	1"3/16 12h UNF	82	30,5	21	36	9,5
449081212	3/4"	1"3/16 12h UNF	113	39	27	36	15
449081612	3/4"	1"7/16 12h UNF	116	39	30	41	15
449081616	1"	1"7/16 12h UNF	138	47	34	41	19
449082020	1"1/4	1"11/16 12h UNF	165	54,5	39	50	26
449082424	1"1/2	2" 12h UNF	180	58	42	60	32