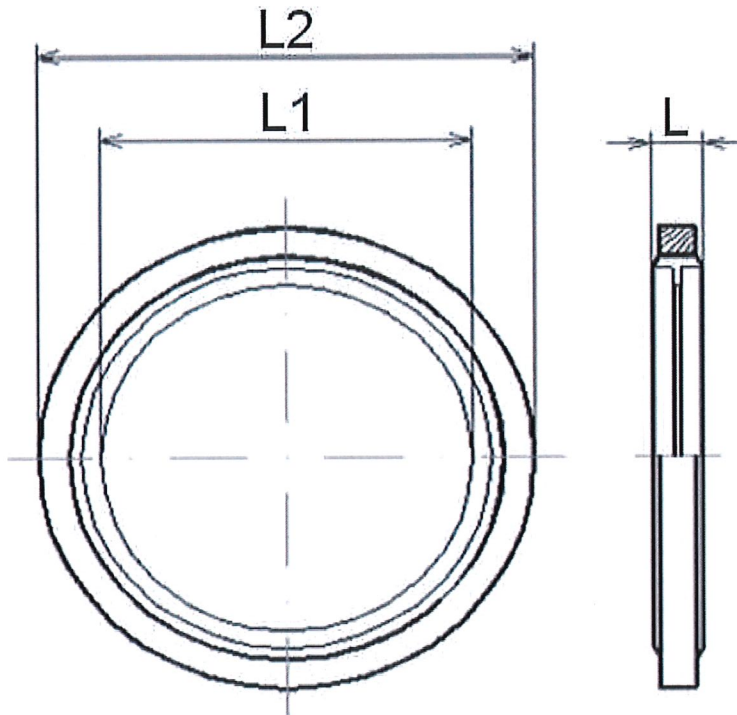


BSP Bonded Seal

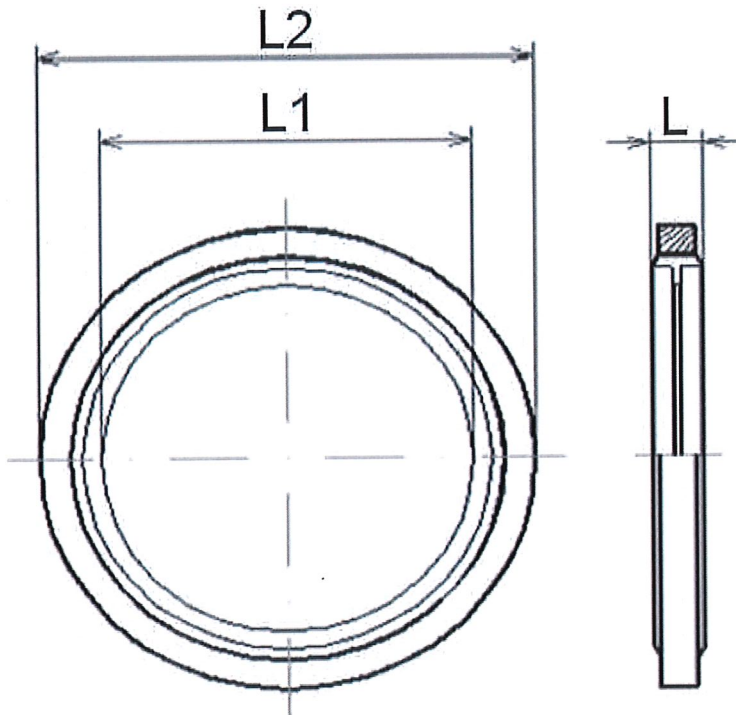
Carbon steel

**Materials** ·Washer: Steel. O'ring: NBR**Working temperature** From -30°C to +100°C

Part n°	R1	Working Pressure (bar)	u/ Bag	L	L1	L2
T21002	1/8" BSP	900	100	2,03	10,37	15,88
T21004	1/4" BSP	930	100	2,03	13,74	20,57
T21006	3/8" BSP	756	100	2,03	17,28	23,8
T21008	1/2" BSP	690	100	2,5	21,54	28,58
T21010	5/8" BSP	750	100	2,5	23,49	31,75
T21012	3/4" BSP	636	100	2,5	27,5	34,93
T21016	1" BSP	400	50	2,5	33,89	42,8
T21020	1"1/4 BSP	410	25	3,25	42,93	52,38
T21024	1"1/2 BSP	410	25	3,25	48,44	58,6
T21032	2" BSP	420	25	3,25	60,58	73,3
T21040	2" 1/2 BSP	400	25	3,25	76,8	90,17

Metric Bonded Seal Sel-Centering

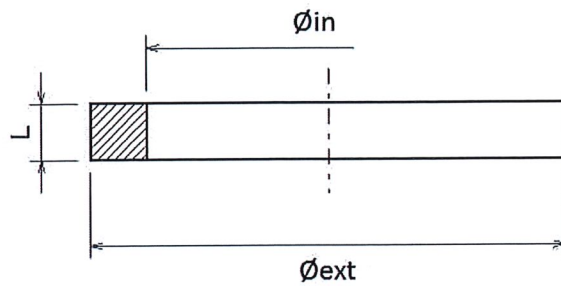
Carbon steel

**Materials** ·Washer: Steel. O'ring: NBR**Working temperature** From -30°C to +100°C

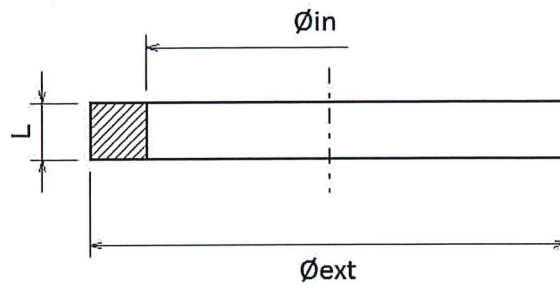
Part n°	R1	Working Pressure (bar)	u/ Bag	L	L1	L2
T32006	M6X1	650	100	1	6,7	10
T32008	M8x1	750	100	1	8,7	13
T32010	M10x1	810	100	1,5	10,7	16
T32012	M12x1.5	750	100	1,5	12,7	18
T32014	M14x1.5	900	100	1,5	14,7	22
T32016	M16x1.5	840	100	1,5	16,7	24
T32018	M18x1.5	760	100	1,5	18,7	26
T32020	M20x1.5	690	100	1,5	20,7	28
T32022	M22x1.5	660	100	2	22,7	30
T32024	M24x1.5	630	100	2	24,7	32
T32026	M26x1.5	630	100	2	26,7	35
T32027	M27X1,5	650	100	2	27,2	36
T32030	M30x2	500	50	2	31	39
T32036	M36x2	500	25	2	36,7	46
T32042	M42x2	500	25	3	42,7	53
T32048	M48X2	480	25	3	48,7	59

BSP Aluminium Collar Plate

Carbon steel

**Material:** Aluminium

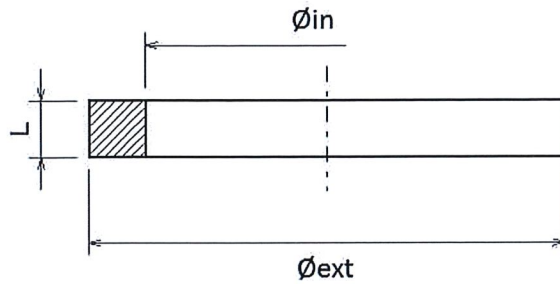
Part n°	R1	Ø outer	Ø in	L
A133202	1/8"	14	10	1,5
A133204	1/4"	19	13	1,5
A133206	3/8"	22	17	1,5
A133208	1/2"	27	21	1,5
A133212	3/4"	33	27	1,5
A133216	1"	41	33	1,5
A133220	1"1/4	50	42	1,5
A133224	1"1/2	60	48	1,5

BSP Annealed Copper flat Plate**Material:** Copper

Part n°	R1	Ø outer	Ø in	L
A133002	1/8"	14	10	1,5
A133004	1/4"	19	13	1,5
A133006	3/8"	22	17	1,5
A133008	1/2"	27	21	1,5
A133012	3/4"	33	27	1,5
A133016	1"	41	33	1,5
A133020	1"1/4	50	42	1,5
A133024	1"1/2	56	48	1,5
A133032	2"	72	60	1,5

BSP Steel flat Plate

Carbon steel

**Norm:** According to ISO 1179-3:2007

Part n°	R1	Ø outer	Ø in	L
A13330200000	1/8"	15	12.2	1,4
A13330400000	1/4"	19.5	16.15	1,9
A13330600000	3/8"	23.5	19.5	1,9
A13330800000	1/2"	28.5	23.3	1,9
A13331200000	3/4"	34.5	28.6	1,9
A13331600000	1"	43.5	36.6	2,6
A13332000000	1"1/4	52.5	44.9	2,6
A13332400000	1"1/2	60	50.9	2,6