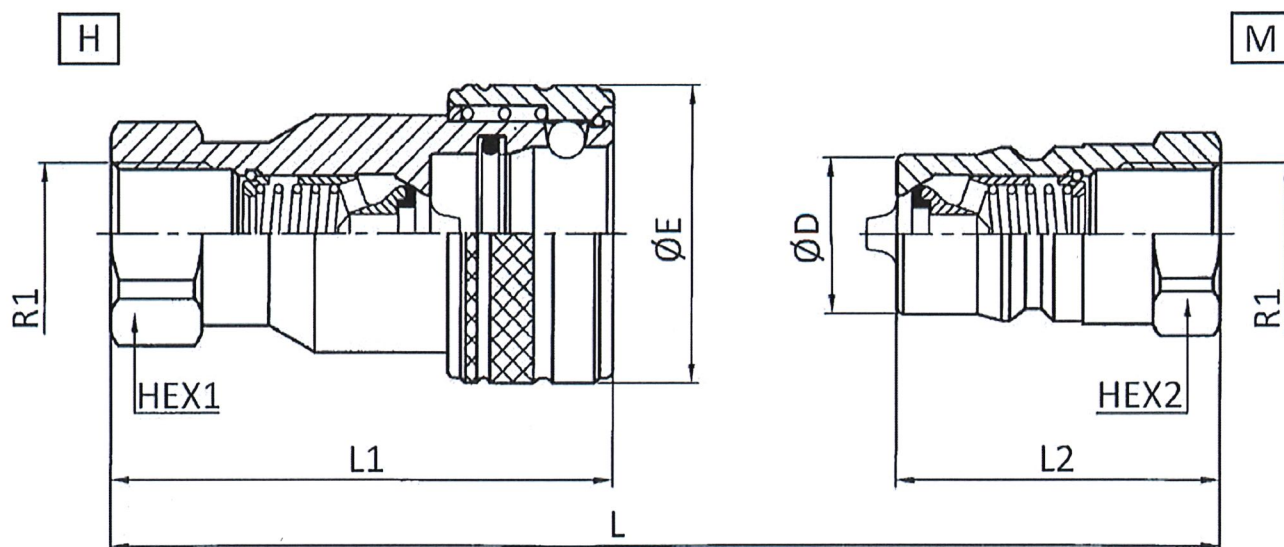


TrAle quick-release couplings

TrAle quick release couplings

ISO A Quick release coupling BSP

Page: 1/1



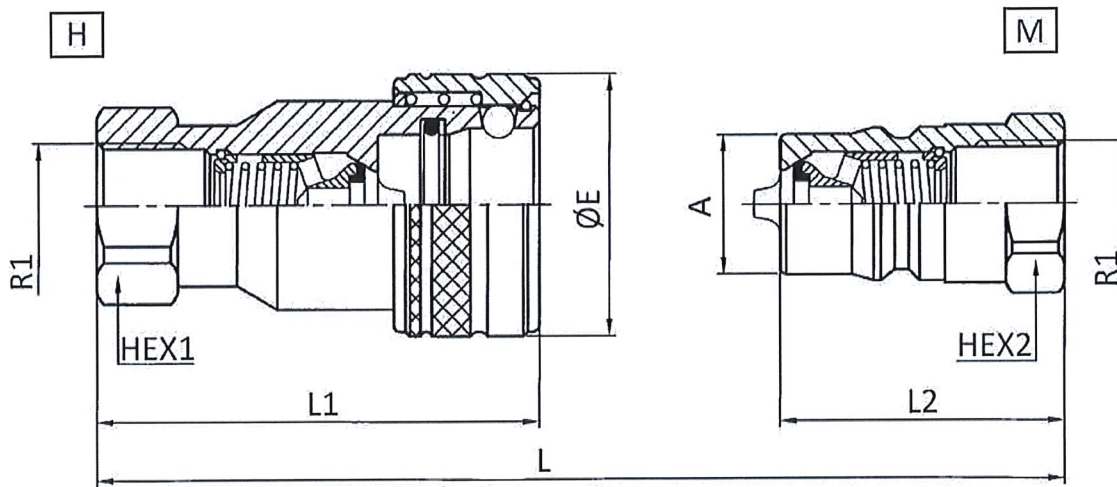
Material: Steel

Seals: NBR

Working temperature: -20°C / +100°C

Part nº	R1	Working Pressure (bar)	ISO size	BG size	Coupling	Water flow (l/min)	L	L1	L2	HEX 1	HEX 2	ØD	ØE
B800104	1/4" BSP	345	6,3	1	M	11	71		35,5	19		11,85	
B800106	3/8" BSP	275	10	2	M	23	75		36,5	22		17,3	
B800108	1/2" BSP	200	12,5	3	M	45	88		43,5	27		20,55	
B800112	3/4" BSP	200	20	4	M	105	110		57	35		29,1	
B800116	1" BSP	200	25	5	M	189	120		59,5	41		34,35	
B800204	1/4" BSP	345	6,3	1	H	11	71	50		19			26
B800206	3/8" BSP	275	10	2	H	23	75	56		22			31,5
B800208	1/2" BSP	200	12,5	3	H	45	88	66		27			38,5
B800212	3/4" BSP	200	20	4	H	105	110	80		34			48
B800216	1" BSP	200	25	5	H	189	120	94		41			58

ISO B Quick release coupling BSP



Material: Steel

Seals: NBR

Working temperature: -20°C / +100°C

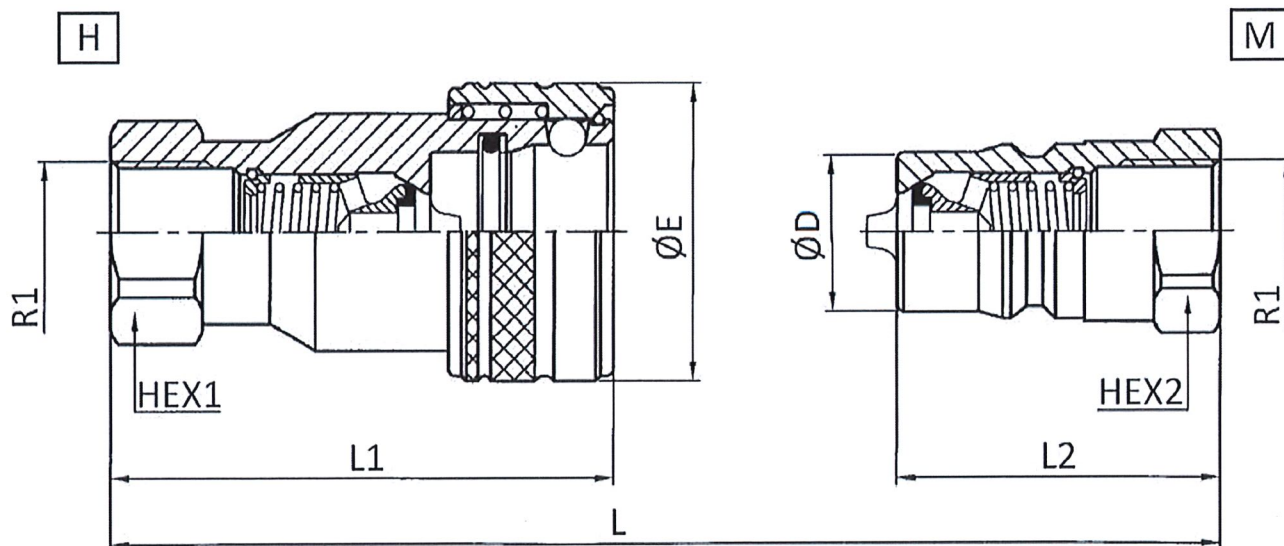
Part n°	R1	Working Pressure (bar)	ISO size	BG size	Coupling	Water flow(l/min)	L	L1	L2	HEX 1	HEX 2	ØE	A
B810104	1/4" BSP	250	6	1	M	12	72,7		36		19		14,2
B810106	3/8" BSP	250	10	2	M	23	53,3		40		22		19,1
B810108	1/2" BSP	250	13	3	M	45	93,3		46,5		27		23,5
B810112	3/4" BSP	250	19	4	M	106	112,6		56		35		31,4
B810116	1" BSP	200	25	5	M	189	126,4		63		41		37,7
B810204	1/4" BSP	250	6	1	H	12	72,7	58		19		28	-
B810206	3/8" BSP	250	10	2	H	23	53,3	65		24		35	-
B810208	1/2" BSP	250	13	3	H	45	93,3	74,7		28		44	-
B810212	3/4" BSP	250	19	4	H	106	112,6	92		36		54	-
B810216	1" BSP	200	25	5	H	189	126,4	103		41		64	-

TrAle quick-release couplings

TrAle quick release couplings

Quick release coupling NV Serie BSP

Page: 1/1



Material: Steel

Seals: NBR

Working temperature: -20°C / +100°C

Part n°	R1	Working Pressure (bar)	ISO size	BG size	Coupling	Water flow (l/min)	L	L1	L2	HEX 1	HEX 2	ØD	ØE
B820104	1/4" BSP	400	6,3	1	M	12	74,7		36	22	14,22		
B820106	3/8" BSP	350	10	2	M	23	80,7		40	24	19		
B820112	3/4" BSP	250	20	4	M	106	107,8		53,5	34	27,93		
B820116	1" BSP	250	25	5	M	189	128,8		62,5	41	31,30		
B820204	1/4" BSP	400	6,3	1	H	12	74,2	55,5		19			27,6
B820206	3/8" BSP	350	10	2	H	23	80,7	60,5		20			34
B820212	3/4" BSP	250	20	4	H	106	107,8	82,5		34			48,2
B820216	1" BSP	250	25	5	H	189	128,8	97,5		41			56,2

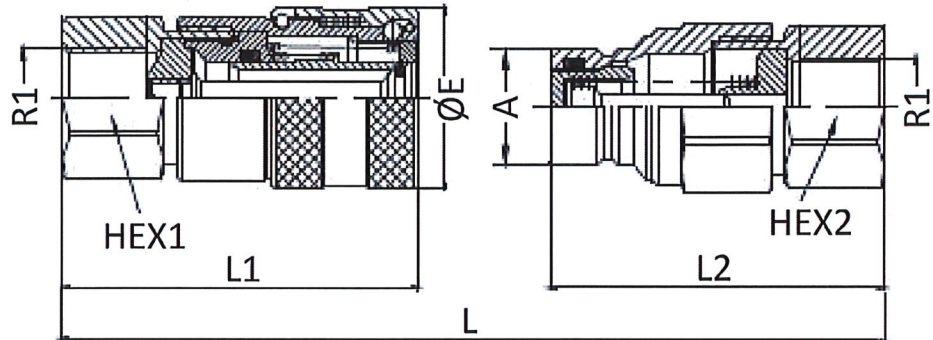
1/2" BSP idem ISO A (B800108 / B800208)

TrAle quick-release couplings

TrAle flat face quick release couplings and brake valves

Ecological flat face coupling BSP ISO 16028

Page: 1/1



Material: Steel

Seals: NBR

Working temperature: -20°C / +100°C

Part n°	R1	Working Pressure (bar)	ISO size	BG size	Coupling	Water flow(l/min)	L	L1	L2	HEX 1	HEX 2	ØE	A
B900104	1/4" BSP	300	6	1	M	12	96,2		49,2	20			16,1
B900106	3/8" BSP	250	10	2	M	23	108,4		55,8	24			19,7
B900108	1/2" BSP	250	12	3	M	45	129,3		72	32			24,5
B900112	3/4" BSP	250	16	4A	M	75	138		75,5	36			27
B900116	1" BSP	250	19	4	M	100	172,1		93,8	41			30
B900204	1/4" BSP	300	6	1	H	12	96,2	58,2		20		28	
B900206	3/8" BSP	250	10	2	H	23	108,4	68,2		24		32	
B900208	1/2" BSP	250	12	3	H	45	129,3	75		32		38	
B900212	3/4" BSP	250	16	4A	H	75	138	80		36		42	
B900216	1" BSP	250	19	4	H	100	172,1	99,8		41		48	