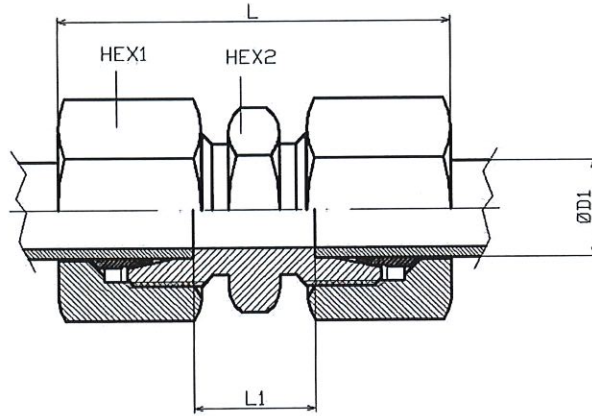
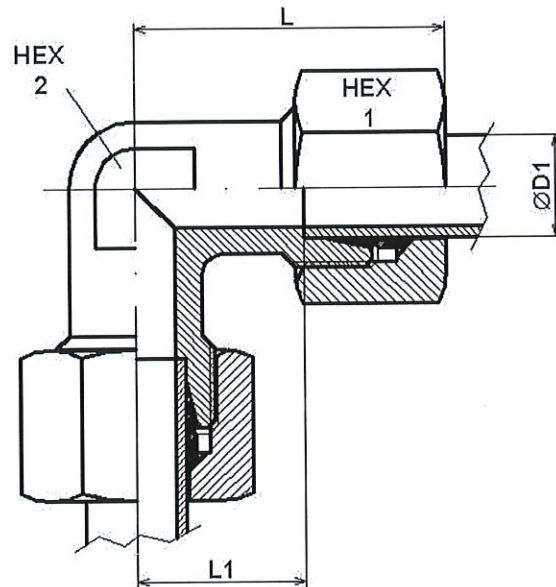
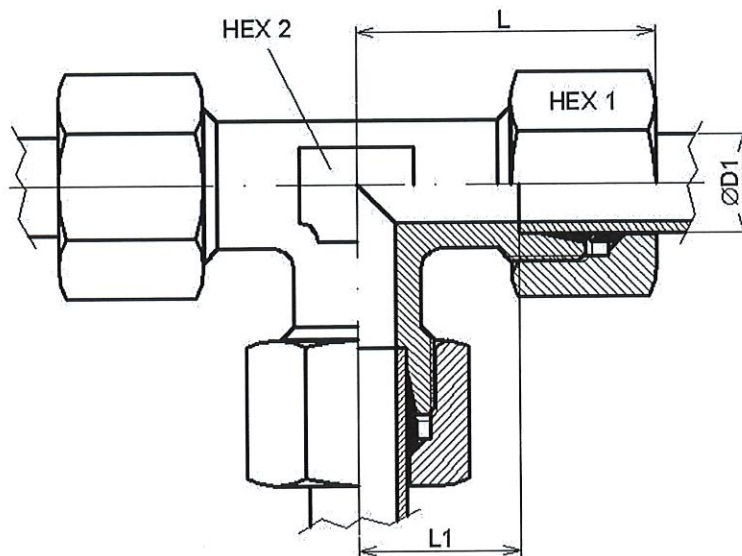


**Straight coupling (pipe-pipe)**

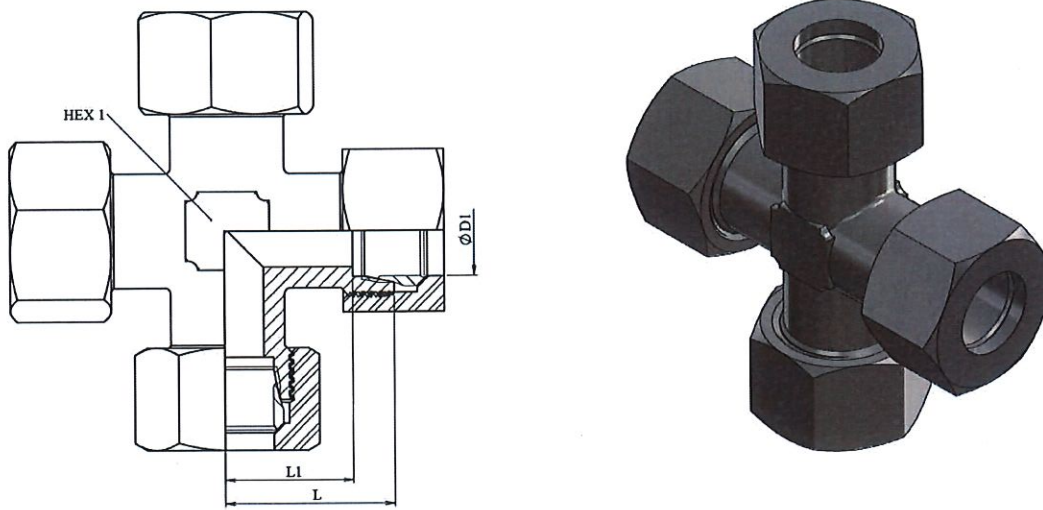
Part nº	ØD1	Serie	Working Pressure (bar)	L	L1	HEX 1	HEX 2
<b>DLL 4</b>	4	LL	100	31	12	10	9
<b>DLL 6</b>	6	LL	100	32	9	12	11
<b>DLL 8</b>	8	LL	100	35	12	14	12
<b>DL 6</b>	6	L	500	39,0	10	14	12
<b>DL 8</b>	8	L	500	40,0	11	17	14
<b>DL 10</b>	10	L	500	42,0	13	19	17
<b>DL 12</b>	12	L	400	43,0	14	22	19
<b>DL 15</b>	15	L	400	46,0	16	27	24
<b>DL 18</b>	18	L	400	48,0	16	32	27
<b>DL 22</b>	22	L	250	52,0	20	36	32
<b>DL 28</b>	28	L	250	54,0	21	41	41
<b>DL 35</b>	35	L	250	63,0	20	50	46
<b>DL 42</b>	42	L	250	66,0	21	60	55
<b>DS 6</b>	6	S	630	45,0	16	17	14
<b>DS 8</b>	8	S	630	47,0	18	19	17
<b>DS 10</b>	10	S	630	49,0	17	22	19
<b>DS 12</b>	12	S	630	51,0	19	24	22
<b>DS 14</b>	14	S	630	57,0	22	27	24
<b>DS 16</b>	16	S	420	57,0	21	30	27
<b>DS 20</b>	20	S	420	66,0	23	36	32
<b>DS 25</b>	25	S	420	74,0	26	46	41
<b>DS 30</b>	30	S	420	80,0	27	50	46
<b>DS 38</b>	38	S	315	90,0	29	60	55

**Equal elbow coupling (pipe-pipe)**

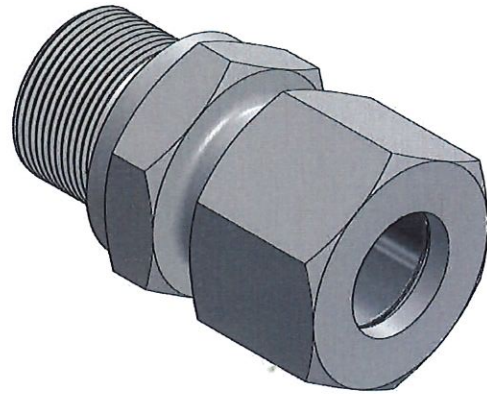
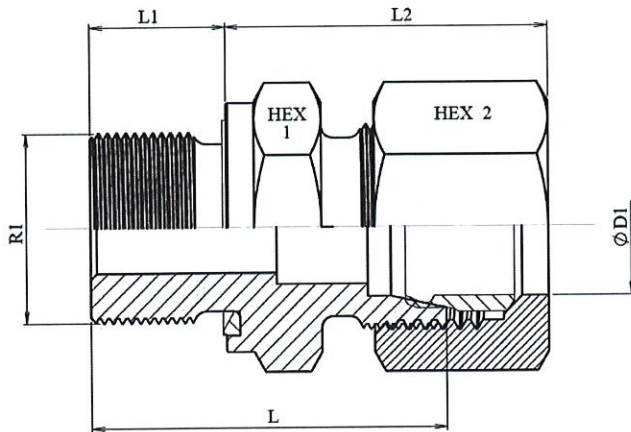
Part nº	ØD1	Serie	Working Pressure (bar)	L	L1	HEX 1	HEX 2
ELL 4	4	LL	100	21,0	11	10	9
ELL 6	6	LL	100	21,0	9,5	12	9
ELL 8	8	LL	100	23,0	11,5	14	12
EL 6	6	L	500	27,0	12	14	12
EL 8	8	L	500	29,0	14	17	12
EL 10	10	L	315	30,0	15	19	14
EL 12	12	L	315	32,0	17	22	17
EL 15	15	L	315	36,0	21	27	19
EL 18	18	L	315	40,0	23,5	32	24
EL 22	22	L	250	44,0	27,5	36	27
EL 28	28	L	250	47,0	30,5	41	36
EL 35	35	L	160	56,0	34,5	50	41
EL 42	42	L	160	63,0	40	60	50
ES 6	6	S	630	31,0	16	17	12
ES 8	8	S	630	31,0	17	19	14
ES 10	10	S	630	34,0	17,5	22	17
ES 12	12	S	630	38,0	21,5	24	17
ES 14	14	S	630	40,0	22	27	19
ES 16	16	S	420	43,0	24,5	30	24
ES 20	20	S	420	48,0	26,5	36	27
ES 25	25	S	420	54,0	30	46	36
ES 30	30	S	400	62,0	35,5	50	41
ES 38	38	S	315	72,0	41	60	50

**Equal Tee union (pipe-pipe-pipe)**

Part nº	ØD1	Serie	Working Pressure (bar)	L	L1	HEX 1	HEX 2
TLL 4	4	LL	100	21,0	11	10	9
TLL 6	6	LL	100	21,0	9,5	12	9
TLL 8	8	LL	100	23,0	11,5	14	12
TL 6	6	L	500	27,0	12	14	12
TL 8	8	L	500	29,0	14	17	12
TL 10	10	L	315	30,0	15	19	14
TL 12	12	L	315	32,0	17	22	17
TL 15	15	L	315	36,0	21	27	19
TL 18	18	L	315	40,0	23,5	32	24
TL 22	22	L	250	44,0	27,5	36	27
TL 28	28	L	250	47,0	30,5	41	36
TL 35	35	L	160	56,0	34,5	50	41
TL 42	42	L	160	63,0	40	60	50
TS 6	6	S	630	31,0	16	17	12
TS 8	8	S	630	32,0	17	19	14
TS 10	10	S	630	34,0	17,5	22	17
TS 12	12	S	630	38,0	21,5	24	17
TS 14	14	S	630	40,0	22	27	19
TS 16	16	S	420	43,0	24,5	30	24
TS 20	20	S	420	48,0	26,5	36	27
TS 25	25	S	420	54,0	30	46	36
TS 30	30	S	400	62,0	35,5	50	41
TS 38	38	S	315	72,0	41	60	50

**Equal cross union (pipe-pipe-pipe-pipe)**

Part n°	ØD1	Serie	Working Pressure (bar)	L	L1	HEX 1	HEX 2
<b>KVLL 8</b>	8	LL	100	23,0	11,5	14	12
<b>KVL 10</b>	10	L	315	30,0	15	19	14

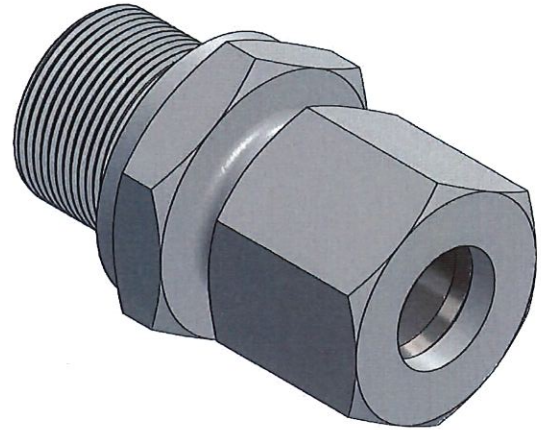
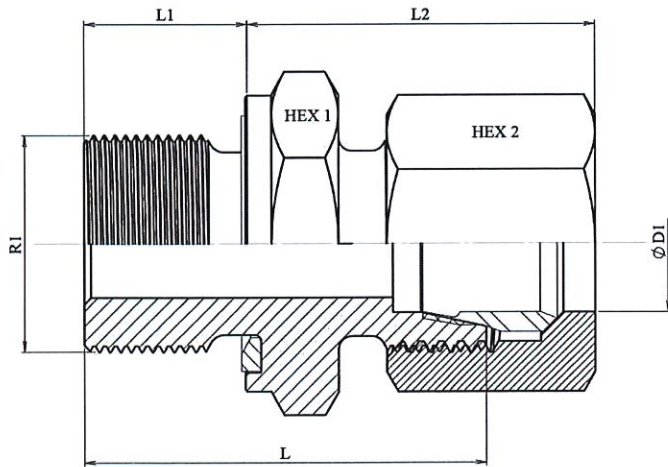
**Straight male stud coupling with captive seal BSP  
cyl**

Part nº	ØD1	Serie	R1	Working Pressure (bar)	L	L1	L2	HEX 1	HEX 2
AL 6 R 1/8 WD	6	L	1/8" BSP	500	23,5	8	23,5	14	14
AL 6 R 1/4 WD	6	L	1/4" BSP	500	29	12	25	19	14
AL 6 R 3/8 WD	6	L	3/8" BSP	500	31,5	12	26	22	14
AL 8 R 1/8 WD	8	L	1/8" BSP	500	24,5	8	24,5	14	17
AL 8 R 1/4 WD	8	L	1/4" BSP	500	29	12	25	19	17
AL 8 R 3/8 WD	8	L	3/8" BSP	400	30,5	12	26,5	22	17
AL 8 R 1/2 WD	8	L	1/2" BSP	500	33	14	41	27	17
AL 10 R 1/8 WD	10	L	1/8" BSP	400	25,5	8	33,5	27	17
AL 10 R 1/4 WD	10	L	1/4" BSP	500	30	12	26	19	19
AL 10 R 3/8 WD	10	L	3/8" BSP	400	31,5	12	27,5	22	19
AL 10 R 1/2 WD	10	L	1/2" BSP	400	34	14	28	27	19
AL 12 R 1/4 WD	12	L	1/4" BSP	400	31	12	27	19	22
AL 12 R 3/8 WD	12	L	3/8" BSP	400	31,5	12	27,5	22	22
AL 12 R 1/2 WD	12	L	1/2" BSP	400	34	14	28	27	22
AL 12 R 3/4 WD	12	L	3/4" BSP	400	34	16	29	32	22
AL 15 R 1/2 WD	15	L	1/2" BSP	400	35	14	29	27	27
AL 15 R 3/4 WD	15	L	3/4" BSP	250	37	16	30	32	27
AL 18 R 3/8 WD	18	L	3/8" BSP	400	36	14,5	31	22	32
AL 18 R 1/2 WD	18	L	1/2" BSP	400	36	14	31	27	32
AL 18 R 3/4 WD	18	L	3/4" BSP	250	38	16	31	32	32
AL 22 R 1/2 WD	22	L	1/2" BSP	250					
AL 22 R 3/4 WD	22	L	3/4" BSP	250	40	16	33	32	36
AL 22 R 1 WD	22	L	1" BSP	250	42	18	34	32	36
AL 28 R 3/4 WD	28	L	3/4" BSP	250					
AL 28 R 1 WD	28	L	1" BSP	250	43	18	34	41	41
AL 35 R 1 1/4 WD	35	L	1" 1/4 BSP	250	48	20	39	50	50
AL 42 R 1 1/2 WD	42	L	1" 1/2 BSP	250	52	22	42	55	60

**Straight male stud coupling with captive seal BSP  
cyl**

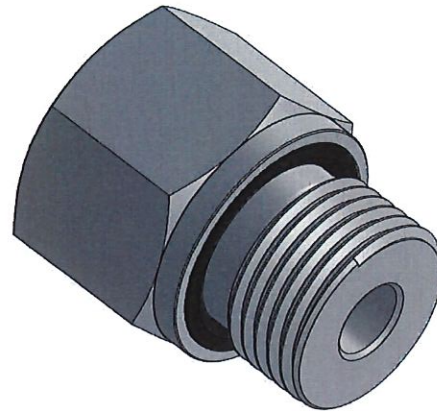
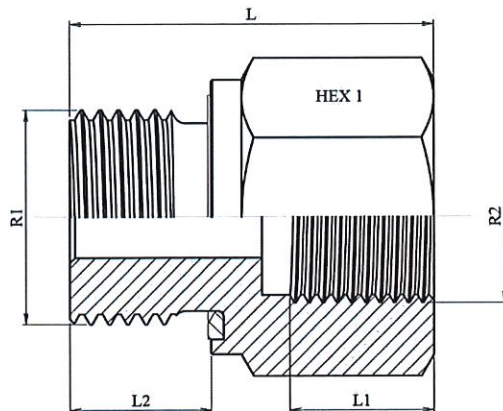
Part nº	ØD1	Serie	R1	Working Pressure (bar)	L	L1	L2	HEX 1	HEX 2
AS 6 R 1/4 WD	6	S	1/4" BSP	630	32	12	28	19	17
AS 8 R 1/4 WD	8	S	1/4" BSP	630	34	12	30	19	19
AS 8 R 3/8 WD	8	S	3/8" BSP	630	34,5	12	30,5	22	19
AS 10 R 1/4 WD	10	S	1/4" BSP	630	34	12	31	19	22
AS 10 R 3/8 WD	10	S	3/8" BSP	630	34,5	12	31,5	22	22
AS 10 R 1/2 WD	10	S	1/2" BSP	630	39	14	34	27	22
AS 12 R 1/4 WD	12	S	1/4" BSP	630	36	12	33	22	24
AS 12 R 3/8 WD	12	S	3/8" BSP	630	36,5	12	33,5	22	24
AS 12 R 1/2 WD	12	S	1/2" BSP	630	39	14	34	27	24
AS 14 R 3/8 WD	14	S	3/4" BSP	630	26,5	38,5	48,5	24	27
AS 14 R 1/2 WD	14	S	1/2" BSP	630	41	14	37	27	27
AS 16 R 3/8 WD	16	S	3/8" BSP	420	38,5	12	36,5	27	30
AS 16 R 1/2 WD	16	S	1/2" BSP	420	41	14	37	27	30
AS 16 R 3/4 WD	16	S	3/4" BSP	420	45	16	39	32	30
AS 20 R 1/2 WD	20	S	1/2" BSP	400	31	45	56	32	36
AS 20 R 3/4 WD	20	S	3/4" BSP	420	47	16	42	32	36
AS 25 R 3/4 WD	25	S	3/4" BSP	420	51	16	47	41	46
AS 25 R 1 WD	25	S	1" BSP	420	53	18	47	41	46
AS 30 R 1 WD	30	S	1" BSP	400	37	55	68	46	50
AS 30 R 1 1/4 WD	30	S	1"1/4 BSP	420	57	20	50	50	50
AS 38 R 1 1/4 WD	38	S	1" 1/4 BSP	420	62	20	57	55	60
AS 38 R 1 1/2 WD	38	S	1"1/2 BSP	315	64	22	57	55	60

**Straight male stud coupling with captive seal  
 Metrical cyl**



Part nº	ØD1	Serie	R1	Working Pressure (bar)	L	L1	L2	HEX 1	HEX 2
AL 6 M 10X1 WD	6	L	M10x1	500	23	8	23,5	14	14
AL 8 M 12X1.5 WD	8	L	M12x1,5	500	29	12	25	17	17
AL 10 M 14X1.5 WD	10	L	M14x1,5	500	30	12	26	19	19
AL 10 M 16X1.5 WD	10	L	M16x1,5	400	30	12	27,5	22	19
AL 10 M 18X1.5 WD	10	L	M18x1,5	400	32,5	14	27,5	24	19
AL 10 M 22X1.5 WD	10	L	M22x1,5	400					
AL 12 M 16X1.5 WD	12	L	M16x1,5	400	31,5	12	27,5	22	22
AL 12 M 22X1.5 WD	12	L	M22x1,5	400	33,5	14	29	27	22
AL 15 M 18X1.5 WD	15	L	M18x1,5	400	34,5	14	28,5	24	27
AL 15 M 22X1.5 WD	15	L	M22x1,5	400	34,5	14	30	27	27
AL 18 M 18X1.5 WD	18	L	M18x1,5	315					
AL 18 M 22X1.5 WD	18	L	M22x1,5	400	35,5	14	31	27	32
AL 22 M 26X1.5 WD	22	L	M26x1,5	250	39,5	16	33	32	36
AL 28 M 33X2 WD	28	L	M33x2	250	42,5	18	34	41	41
AL 35 M 42X2 WD	35	L	M42x2	250	48	20	39	50	50
AL 42 M 48X2 WD	42	L	M48x2	250	52	22	42	55	60
AS 6 M 12X1.5 WD	6	S	M12x1,5	630	32	12	28	17	17
AS 10 M 16X1.5 WD	10	S	M16x1,5	630	34	12	31,5	22	22
AS 12 M 18X1.5 WD	12	S	M18x1,5	630	36,5	12	33,5	24	24
AS 14 M 20X1.5 WD	14	S	M20x1,5	630	40,5	14	37	27	27
AS 16 M 22X1.5 WD	16	S	M22x1,5	420	40,5	14	37	27	30
AS 25 M 33X2 WD	25	S	M33x2	420	52,5	18	47	41	46
AS 30 M 42X2 WD	30	S	M42x2	420	57	20	50	50	50
AS 38 M 48X2 WD	38	S	M48x2	315	64	22	57	55	60

# Male-female reducing adaptor BSP cyl with captive seal



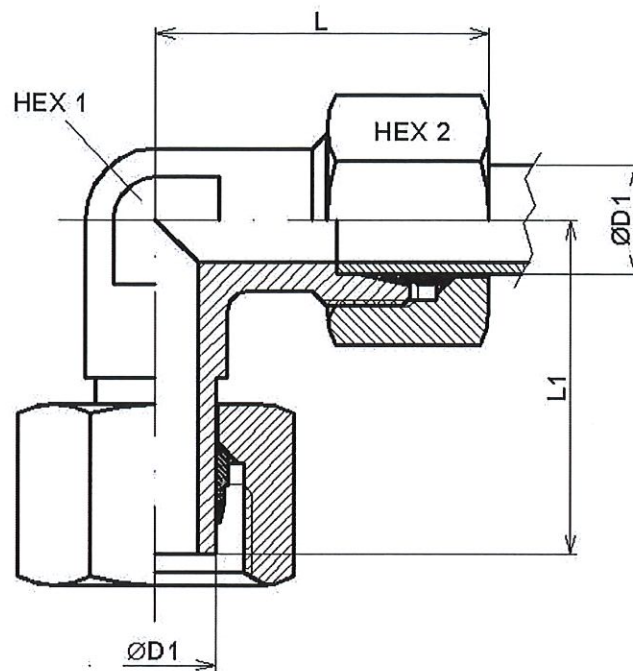
Part n°	R1	R2	Working Pressure (bar)	L	L1	L2	HEX 1
RI-R 1/8 R 1/4WD	M 1/8"BSP	H 1/4"BSP	400	30	15	8	19
RI-R 1/8 R 3/8WD	M 1/8"BSP	H 3/8"BSP	400	31	15	8	24
RI-R 1/4 R 1/8WD	M 1/4"BSP	H 1/8"BSP	400	28	10	12	19
RI-R 1/4 R 3/8WD	M 1/4"BSP	H 3/8"BSP	400	36	15	12	24
RI-R 1/4 R 1/2 WD	M 1/4"BSP	H 1/2"BSP	400	40	19	12	30
RI-R 1/4 R 3/4 WD	M 1/4"BSP	H 3/4"BSP	400	43	22,5	12	36
RI-R 3/8 R 1/8WD	M 3/8"BSP	H 1/8"BSP	400	22,5	9	12	22
RI-R 3/8 R 1/4 WD	M 3/8"BSP	H 1/4"BSP	400	36	17	12	22
RI-R 3/8 R 1/2WD	M 3/8"BSP	H 1/2"BSP	400	41	19	12	30
RI-R 3/8 R 3/4WD	M 3/8"BSP	H 3/4"BSP	315	44	19	12	36
RI-R 1/2 R 1/8WD	M 1/2"BSP	H 1/8"BSP	400	24	9	14	27
RI-R 1/2 R 1/4WD	M 1/2"BSP	H 1/4"BSP	400	24	9	14	27
RI-R 1/2 R 3/8WD	M 1/2"BSP	H 3/8"BSP	400	36	15	14	27
RI-R 1/2 R 3/4WD	M 1/2"BSP	H 3/4"BSP	315	46	20	14	36
RI-R 1/2 R 1WD	M 1/2"BSP	H 1"BSP	315	49	21	14	41
RI-R 1/2 R 1 1/4WD	M 1/2" BSP	H 1"1/4 BSP	315	53	25	14	55
RI-R 3/4 R 1/4WD	M 3/4"BSP	H 1/4"BSP	315	26	13	16	32
RI-R 3/4 R 3/8WD	M 3/4"BSP	H 3/8"BSP	315	26	14	16	32
RI-R 3/4 R 1/2WD	M 3/4"BSP	H 1/2"BSP	315	42	18	16	32
RI-R 3/4 R 1WD	M 3/4"BSP	H 1"BSP	315	51	20	16	41
RI-R 3/4 R 1 1/4WD	M 3/4"BSP	H 1"1/4 BSP	315	55	20	16	55
RI-R 3/4 R 1 1/2WD	M 3/4"BSP	H 1"1/2 BSP	250	57	20	16	60
RI-R 1 R 1/4WD	M 1"BSP	H 1/4"BSP	315	29	14	19	41
RI-R 1 R 3/8WD	M 1"BSP	H 3/8"BSP	315	30	14	19	41
RI-R 1 R 1/2WD	M 1"BSP	H 1/2"BSP	315	30	16	19	41
RI-R 1 R 3/4WD	M 1"BSP	H 3/4"BSP	315	48	20	19	41
RI-R 1 R 1 1/4WD	M 1"BSP	H 1"1/4BSP	315	58	23	19	55



**Male-female reducing adaptor BSP cyl with captive seal**

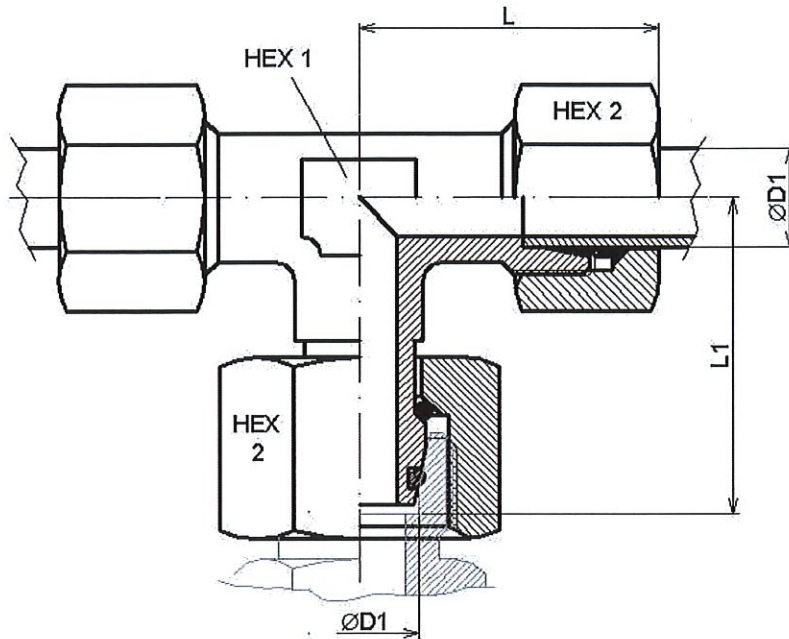
Part n°	R1	R2	Working Pressure (bar)	L	L1	L2	HEX 1
<b>RI-R 1 R 1 1/2WD</b>	M 1"BSP	H 1"1/2 BSP	250	60	25	19	60
<b>RI-R 1 1/4 R 1/2WD</b>	M 1"1/4BSP	H 1/2"BSP	315	32	16	20	50
<b>RI-R 1 1/4 R 3/4WD</b>	M 1"1/4 BSP	H 3/4"BSP	315	32	18	20	50
<b>RI-R 1 1/4 R 1WD</b>	M 1"1/4 BSP	H 1"BSP	315	51	21	20	50
<b>RI-R 1 1/4 R 1 1/2WD</b>	M 1"1/4 BSP	H 1"1/2 BSP	250	60	25	20	50
<b>RI-R 1 1/2 R 1/2WD</b>	M 1"1/2 BSP	H 1/2"BSP	250	36	16	22	55
<b>RI-R 1 1/2 R 3/4WD</b>	M 1"1/2 BSP	H 3/4"BSP	250	36	18	22	55
<b>RI-R 1 1/2 R 1WD</b>	M 1"1/2 BSP	H 1" BSP	250	36	20	22	55
<b>RI-R 1 1/2 R 1 1/4WD</b>	M 1"1/2 BSP	H 1"1/4 BSP	250	58	26,5	22	55

## Adjustable stud elbow with nut and ring



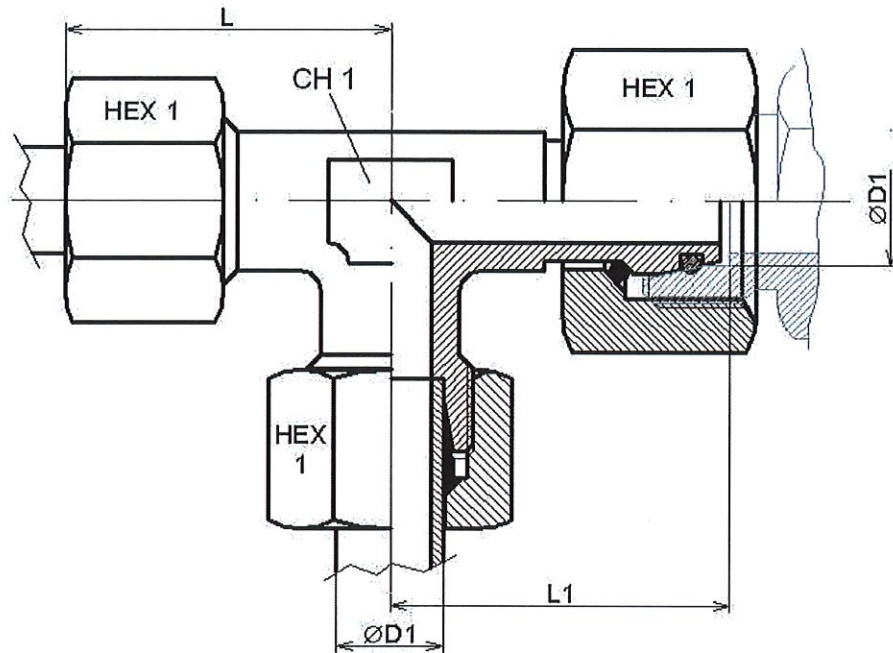
Part n°	ØD1	Serie	R1	Working Pressure (bar)	L	L1	HEX 1	HEX 2
EEL 10 CTA	10	L	M16x1,5	315	30	29	14	19
EEL 18 CTA	18	L	M26x1,5	315	40	33,5	24	32
EEL 22 CTA	22	L	M30x2	160	44	38	27	36
EEL 28 CTA	28	L	M36x2	160	47	41,5	36	41
EES 12 CTA	12	S	M20x1,5	630	38	30,5	17	24
EES 25 CTA	25	S	M36x2	400	54	49,5	36	46
EES 30 CTA	30	S	M42x2	400	62	55	41	50

## Adjustable stud branch TEE with o'ring



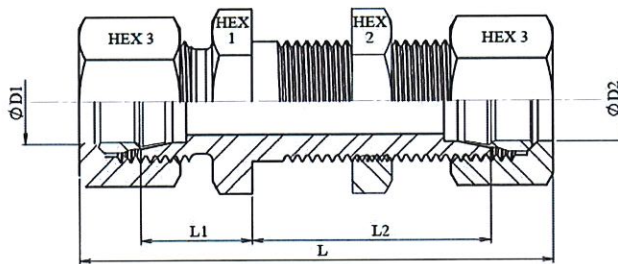
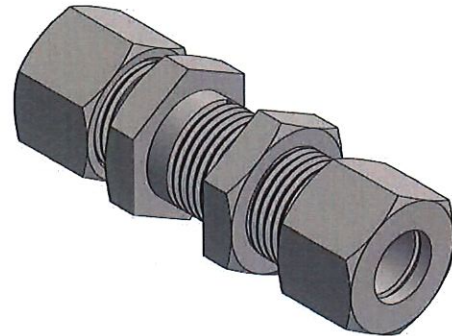
Part nº	ØD1	Serie	R1	Working Pressure (bar)	L	L1	HEX 1	HEX 2
TEL 6 TLM	6	L	M12x1,5	500	27	26	12	14
TEL 8 TLM	8	L	M14x1,5	500	29	27,5	12	17
TEL 10 TLM	10	L	M16x1,5	500	30	29	14	19
TEL 12 TLM	12	L	M18x1,5	400	32	29,5	17	22
TEL 15 TLM	15	L	M22x1,5	400	36	32,5	19	27
TEL 18 TLM	18	L	M26x1,5	315	40	35,5	24	32
TEL 22 TLM	22	L	M30x2	250	44	38,5	27	36
TEL 28 TLM	28	L	M36x2	250	47	41,5	36	41
TEL 35 TLM	35	L	M45x2	250	56	51	41	50
TEL 42 TLM	42	L	M52x2	160	63	56	50	60
TES 6 TLM	6	S	M14x1,5	630	31	27	12	17
TES 8 TLM	8	S	M16x1,5	630	32	27,5	14	19
TES 10 TLM	10	S	M18x1,5	630	34	30	17	22
TES 12 TLM	12	S	M20x1,5	630	38	31	17	24
TES 14 TLM	14	S	M22x1,5	630	40	35	19	27
TES 16 TLM	16	S	M24x1,5	420	43	36,5	24	30
TES 20 TLM	20	S	M30x2	420	48	44,5	27	36
TES 25 TLM	25	S	M36x2	420	54	50	36	46
TES 30 TLM	30	S	M42x2	420	62	55,5	41	50
TES 38 TLM	38	S	M52x2	315	72	63	50	60

## Adjustable stud barrel L with o'ring



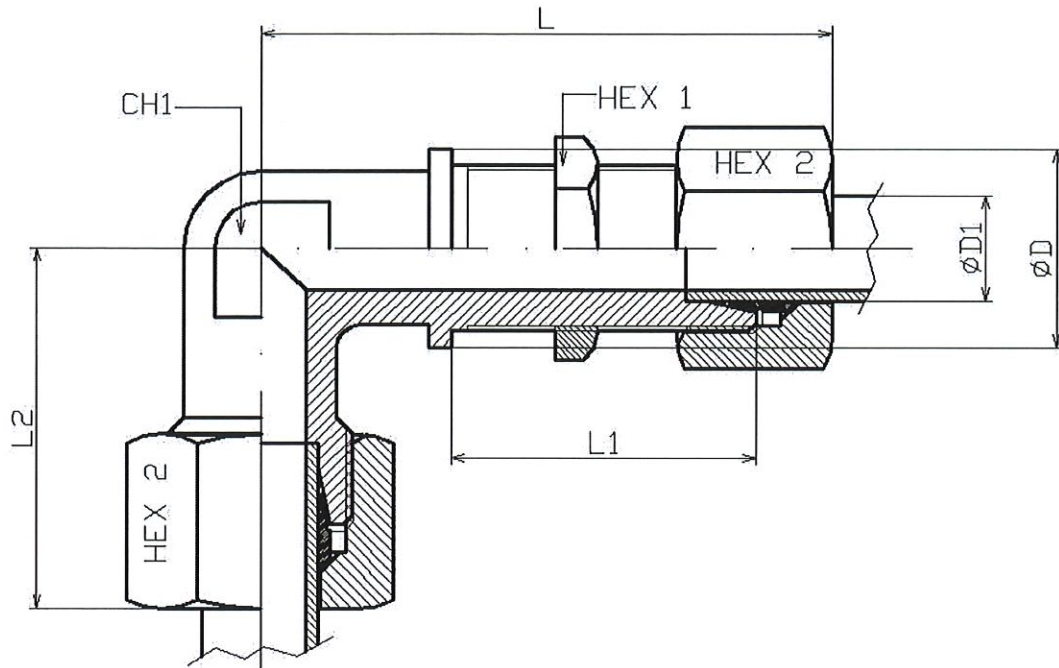
Part n°	ØD1	Serie	R1	Working Pressure (bar)	L	L1	HEX 1	CH1
LEL 6 TLM	6	L	M12x1,5	500	27	26	14	12
LEL 8 TLM	8	L	M14x1,5	500	29	27,5	17	12
LEL 10 TLM	10	L	M16x1,5	500	30	29	19	14
LEL 12 TLM	12	L	M18x1,5	400	32	29,5	22	17
LEL 15 TLM	15	L	M22x1,5	400	36	32,5	27	19
LEL 18 TLM	18	L	M26x1,5	315	40	35,5	32	24
LEL 22 TLM	22	L	M30x2	250	44	38,5	36	27
LEL 28 TLM	28	L	M36x2	250	47	41,5	41	36
LEL 35 TLM	35	L	M45x2	250	56	51	50	41
LEL 42 TLM	42	L	M52x2	160	63	56	60	50
LES 6 TLM	6	S	M14x1,5	630	31	27	17	12
LES 8 TLM	8	S	M16x1,5	630	32	27,5	19	14
LES 10 TLM	10	S	M18x1,5	630	34	30	22	17
LES 12 TLM	12	S	M20x1,5	630	38	31	24	17
LES 14 TLM	14	S	M22x1,5	630	40	35	27	19
LES 16 TLM	16	S	M24x1,5	420	43	36,5	30	24
LES 20 TLM	20	S	M30x2	420	48	44,5	36	27
LES 25 TLM	25	S	M36x2	420	54	50	46	36
LES 30 TLM	30	S	M42x2	420	62	55,5	50	41
LES 38 TLM	38	S	M52x2	315	72	63	60	50

## Straight bulkhead coupling



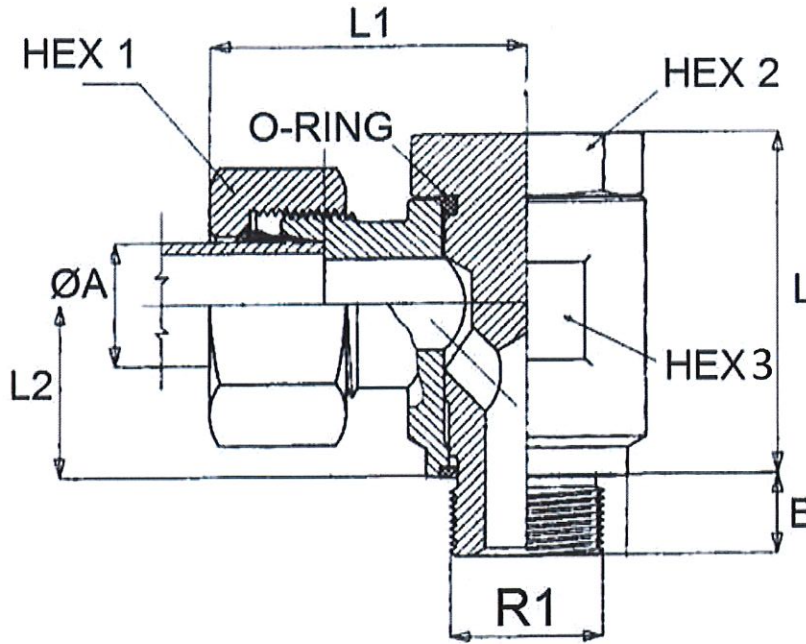
Part n°	ØD1	Serie	Working Pressure (bar)	L	L1	L2	HEX 1	HEX 2	HEX 3	ØD
<b>SVL 6</b>	6	L	500	64	14	34	17	17	14	6
<b>SVL 8</b>	8	L	500	65	15	34	19	19	17	8
<b>SVL 10</b>	10	L	500	68	17	35	22	22	19	10
<b>SVL 12</b>	12	L	400	69	17	36	24	24	22	12
<b>SVL 15</b>	15	L	400	73	19	38	27	30	27	15
<b>SVL 18</b>	18	L	400	79	21	40	32	36	32	18
<b>SVL 22</b>	22	L	250	84	24	42	36	41	36	22
<b>SVL 28</b>	28	L	250	87	26	43	41	46	41	28
<b>SVL 35</b>	35	L	250	98	29	47	50	55	50	35
<b>SVL 42</b>	42	L	250	101	30	47	60	65	60	42
<b>SVS 6</b>	6	S	630	71	19	36	19	19	17	6
<b>SVS 8</b>	8	S	630	72	20	36	22	22	19	8
<b>SVS 10</b>	10	S	630	77	22	37	24	24	22	10
<b>SVS 12</b>	12	S	630	78	22	38	27	27	24	12
<b>SVS 14</b>	14	S	630	85	24	40	30	30	27	14
<b>SVS 16</b>	16	S	420	85	26	40	32	32	30	16
<b>SVS 20</b>	20	S	420	94	29	44	41	41	36	20
<b>SVS 25</b>	25	S	420	103	31	47	46	46	46	25
<b>SVS 30</b>	30	S	420	112	34	51	50	50	50	30
<b>SVS 38</b>	38	S	315	121	37	53	65	65	60	38

## Elbow bulkhead coupling



Part n°	ØD1	Serie	Working Pressure (bar)	L	L1	L2	HEX 1	HEX 2	CH1	ØD
USVL 6	6	L	315	56	27	27	17	14	12	17
USVL 8	8	L	315	59	27	29	19	17	12	19
USVL 10	10	L	315	61	28	30	22	19	14	22
USVL 12	12	L	315	64	29	32	24	22	17	24
USVL 15	15	L	315	69	31	36	30	27	19	27
USVL 18	18	L	315	73	32,5	40	36	32	24	32
USVL 22	22	L	160	81	34,5	44	41	36	27	36
USVL 28	28	L	160	86	35,5	47	46	41	36	42
USVL 35	35	L	160	97	36,5	56	55	50	41	50
USVL 42	42	L	160	102	36	63	65	60	50	60
USVS 8	8	S	630	62	29	32	22	19	14	19
USVS 10	10	S	630	66	29,5	34	24	22	17	24
USVS 12	12	S	630	68	30,5	38	27	24	17	27
USVS 14	14	S	630	73	32	40	30	27	19	27
USVS 16	16	S	400	74	31,5	43	32	30	24	30
USVS 20	20	S	400	85	33,5	48	41	36	27	36
USVS 25	25	S	400	93	35	54	46	46	36	42
USVS 30	30	S	400	103	37,5	62	50	50	41	50
USVS 38	38	S	315	111	37	72	65	60	50	60

# Elbow banjo coupling with captive seal and o'ring metric cyl



Part nº	ØD1	Serie	R1	Working Pressure (bar)	L	L1	L2	HEX 1	HEX 2	HEX 3
WSVLL 6 M 10X1	6	LL	M10X1	100	24	18	10,5	12	17	17
WSVLL 8 M 10X1	8	LL	M10X1	100	24	19	10,5	14	17	17
WSVL 6 M 10X1	6	L	M10X1	315	24	19	10,5	14	17	17
WSVL 8 M 12X1.5	8	L	M12X1.5	315	32	21,5	14	17	19	22
WSVL 10 M 14X1.5	10	L	M14X1.5	315	32	22,5	14	19	19	22
WSVL 12 M 16X1.5	12	L	M16X1.5	315	38,5	25	16,5	22	24	27
WSVL 15 M 18X1.5	15	L	M18X1.5	315	42	29	18,5	27	27	32
WSVL 18 M 22X1.5	18	L	M22X1.5	315	46,5	29	21,5	32	30	32
WSVL 22 M 26X1.5	22	L	M26X1.5	160	54	34	24	36	36	41
WSVL 28 M 33X2	28	L	M33X2	160	66,5	38,5	30,5	41	46	50
WSVL 42 M 48X2	42	L	M48X2	160	90	50,5	40,5	60	60	70
WSVS 8 M 14X1.5	8	S	M14X1.5	630	32	23,5	14	19	19	22
WSVS 10 M 16X1.5	10	S	M16X1.5	630	38,5	26	16,5	22	24	27
WSVS 12 M 18X1.5	12	S	M18X1.5	630	42	29	18,5	24	27	32
WSVS 16 M 22X1.5	16	S	M22X1.5	400	46,5	31	21,5	30	30	32
WSVS 20 M 27X2	20	S	M27X2	400	54	36	24	36	36	41
WSVS 30 M 42X2	30	S	M42X2	250	80	49,5	35,5	50	55	60
WSVS 38 M 48X2	38	S	M48x2	250	90	56,5	40,5	60	60	70