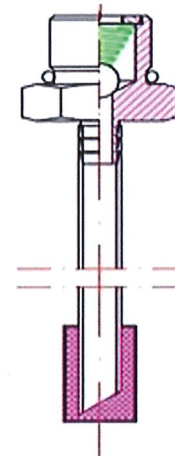
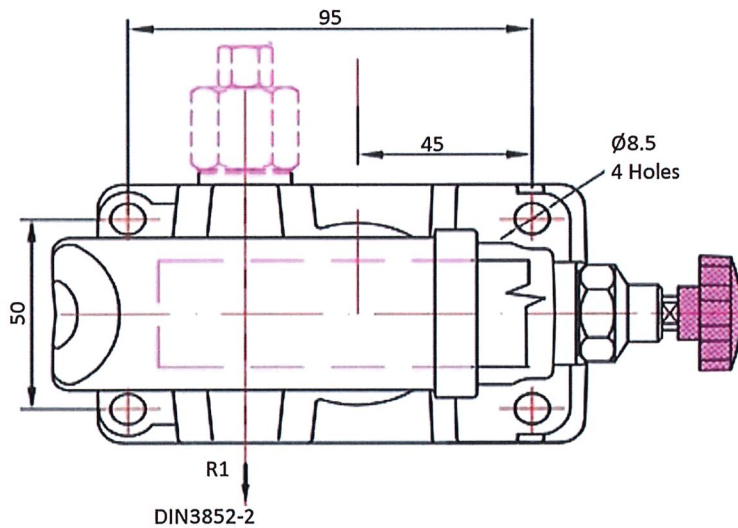
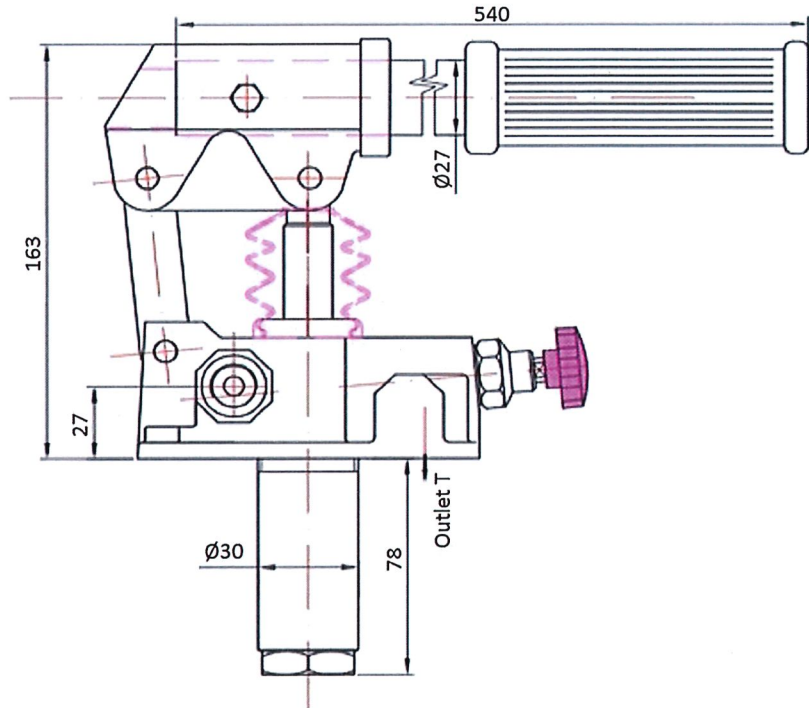
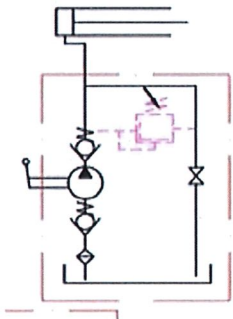


Hydraulic hand pumps

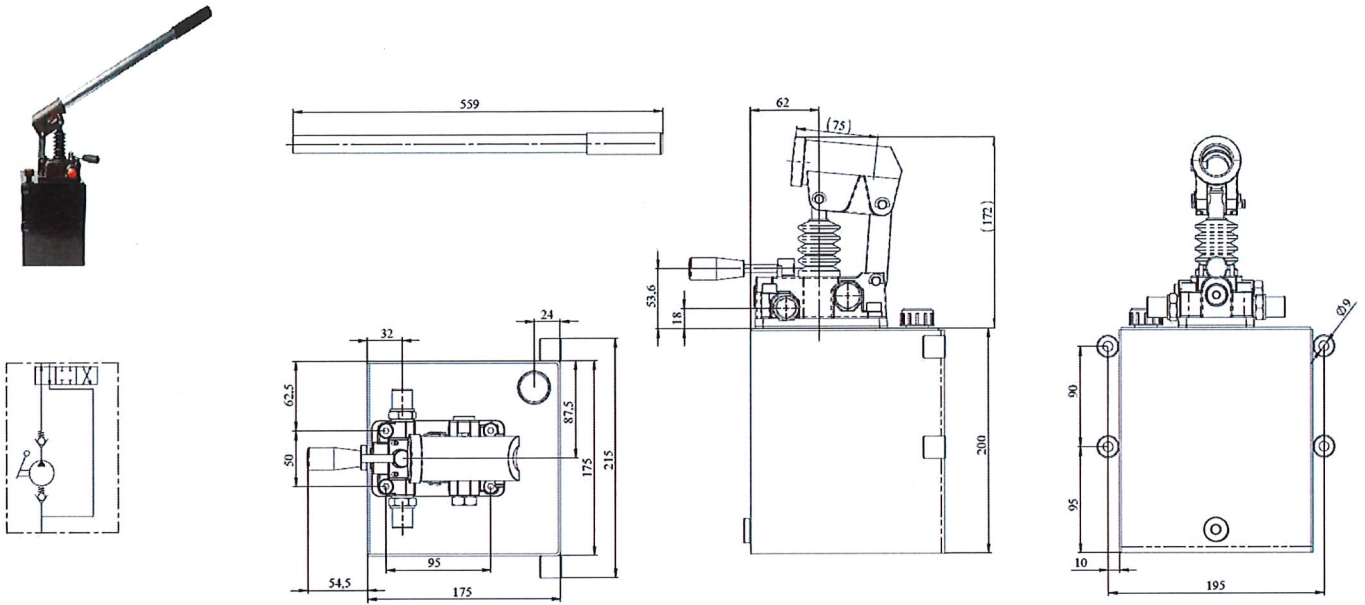
Hydraulic hand pump Single Act., with lever, bellows and tank



Medidas / Dimensions  
 3L 100x170x220 mm  
 5L 175x175x200 mm



Part nº	R1	Max. Press. (bar)	Cap. (l)	FLOW (cm <sup>3</sup> )
<b>BMTSE12F05</b>	3/8" BSP	320	5	12
<b>BMTSE25F03</b>	3/8" BSP	250	3	25
<b>BMTSE25F05</b>	3/8" BSP	250	5	25



Deposito/Tank: 5L

Part n°	R1	Max. Press. (bar)	FLOW (cm <sup>3</sup> )
<b>BMTDE12F05</b>	3/8" BSP	320	12
<b>BMTDE25F05</b>	3/8" BSP	250	25