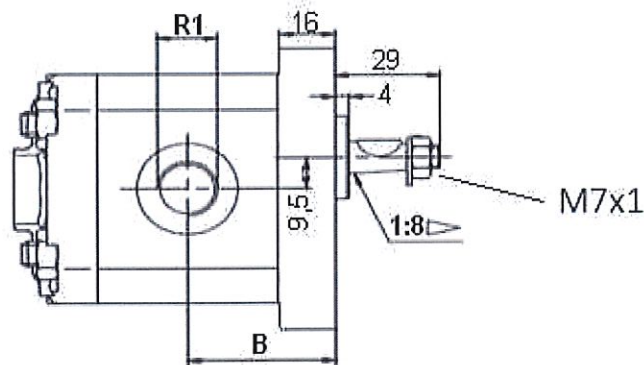
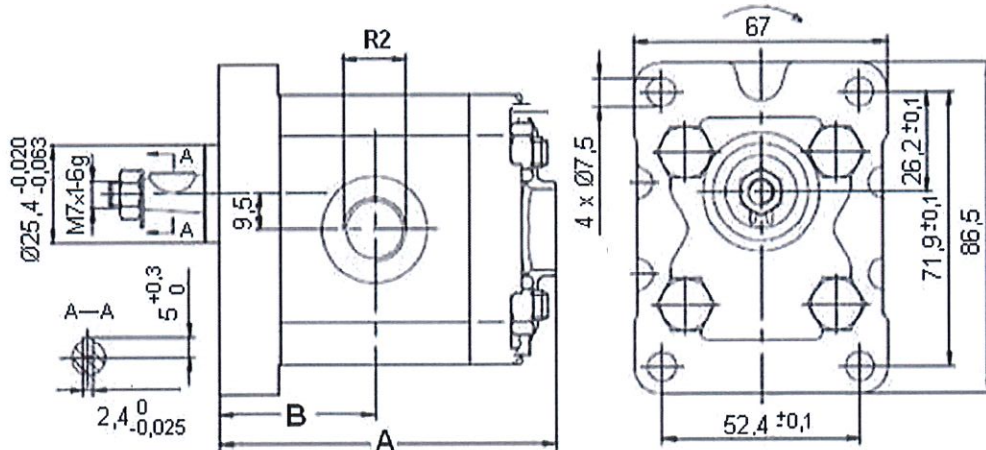


Gear pumps

Gear pumps Group I Right

Gr.I Gear pump/ Eur.flange/tapered shaft 1:8 /threaded side ports type

Page: 1/2



Rotation reference: BTD...I=Rotation left
 BTD...D=Rotation right
 Min 600 rpm

Flange and cover: Alluminum

Part nº	R1	R2	Max. Press. (bar)	Max. Peak press.	R.P.M.	cm ³ / rev	A	B
BTD111D01	3/8" BSP	3/8" BSP	250	300	6000	1,1 CC	75	33
BTD116D01	3/8" BSP	3/8" BSP	250	300	6000	1,6 CC	78	35
BTD118D01	3/8" BSP	3/8" BSP	250	300	6000	1,8 CC	78,5	35,5
BTD127D01	3/8" BSP	3/8" BSP	250	300	6000	2,7 CC	81	37
BTD132D01	3/8" BSP	3/8" BSP	250	300	5000	3,2 CC	83	38
BTD137D01	3/8" BSP	3/8" BSP	250	300	4500	3,7 CC	85	39
BTD148D01	3/8" BSP	3/8" BSP	200	250	4000	4,8 CC	89	41

Gear pumps

Gear pumps Group I Right

Gr.I Gear pump/ Eur.flange/tapered shaft 1:8 /threaded side ports type

Page: 2/2

Part nº	R1	R2	Max. Press. (bar)	Max. Peak press.	R.P.M.	cm ³ / rev	A	B
BTD158D01	1/2" BSP	3/8" BSP	200	250	3500	5,8 CC	93	43
BTD163D01	1/2" BSP	3/8" BSP	200	250	2900	6,3 CC	97	45
BTD180D01	1/2" BSP	3/8" BSP	200	250	2100	8 CC	101	47

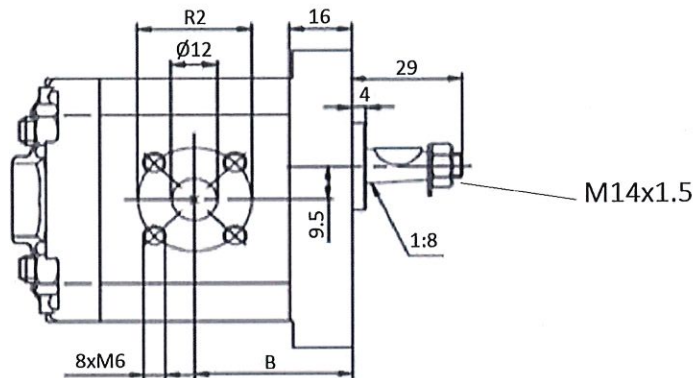
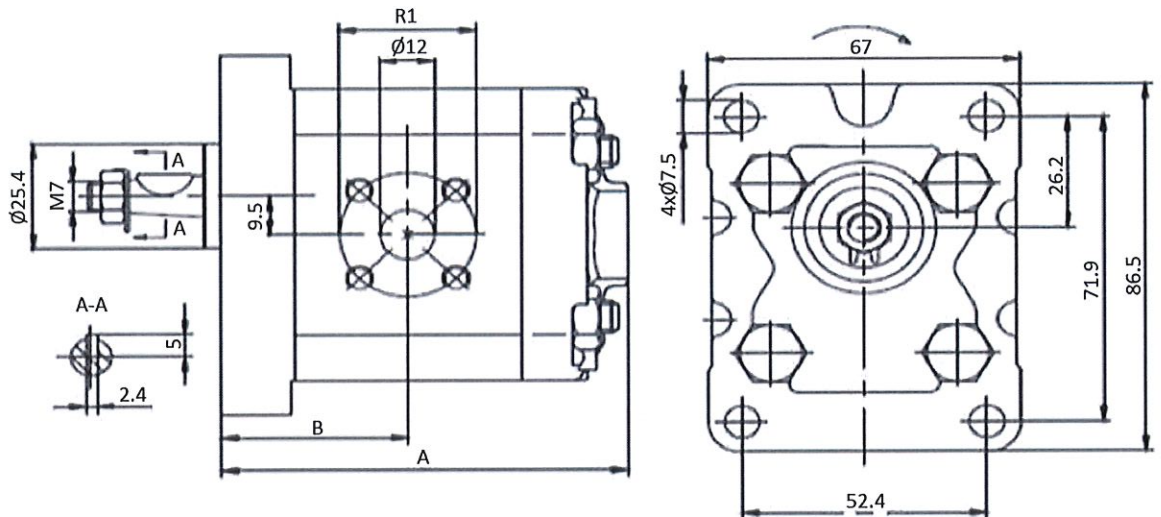
*R.P.M.=Máx. speed
R1 = inlet, R2 = outlet

Gear pumps

Gear pumps Group I Right

Gr.I Gear pump/ Eur.flange/tapered shaft 1:8 /side ports type German

Page: 1/2



Rotation reference: BTD...I=Rotation left
BTD...D=Rotation right

Min 600 rpm

Flange and cover: Alluminum

Part nº	Ø ASPIRATION (mm)	Ø PRESSURE (mm)	Max. Press. (bar)	Max. Peak press.	R.P.M.	cm ³ / rev	A	B
BTD111D03	30	30	250	300	6000	1,1 CC	75	33
BTD116D03	30	30	250	300	6000	1,6 CC	78	35
BTD118D03	30	30	250	300	6000	1,8 CC	78,5	35,5
BTD127D03	30	30	250	300	6000	2,7 CC	81	37
BTD132D03	30	30	250	300	6000	3,2 CC	83	38
BTD137D03	30	30	250	300	4500	3,7 CC	85	39
BTD148D03	30	30	200	250	4000	4,8 CC	89	41

Gear pumps

Gear pumps Group I Right

Gr.I Gear pump/ Eur.flange/tapered shaft 1:8 /side ports type German

Page: 2/2

Part n°	∅ ASPIRATION (mm)	∅ PRESSURE (mm)	Max. Press. (bar)	Max. Peak press.	R.P.M.	cm ³ / rev	A	B
BTD158D03	30	30	200	250	3500	5,8 CC	93	43
BTD163D03	30	30	200	250	2900	6,3 CC	95	44
BTD180D03	30	30	200	250	2100	8 CC	101	47

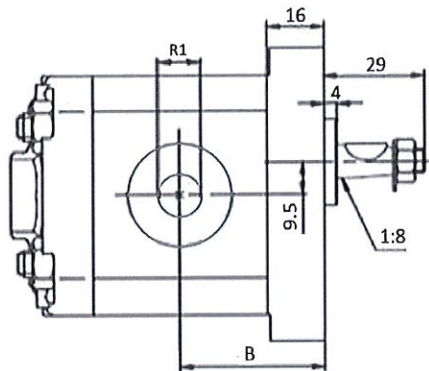
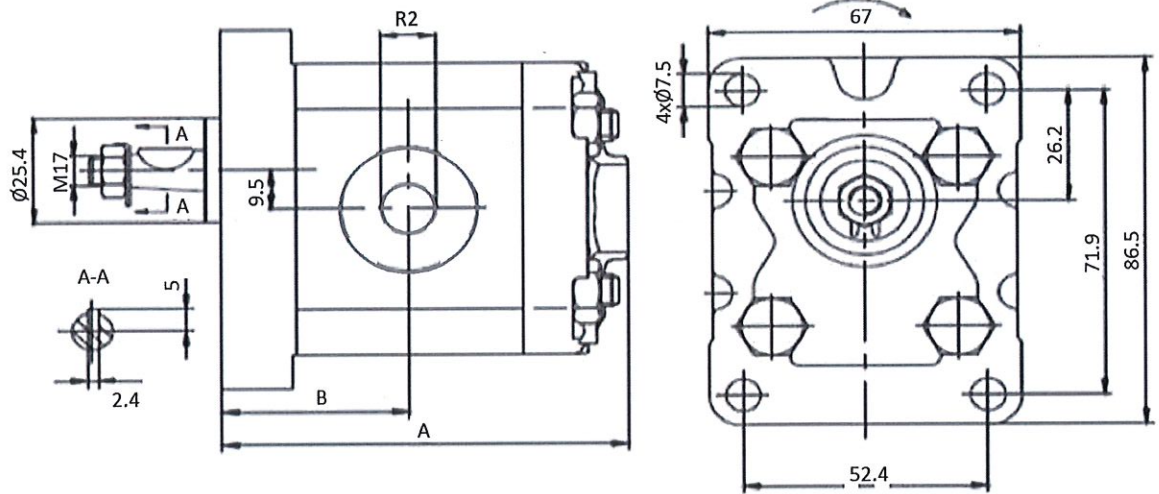
(*) R1 = inlet, R2 = outlet

Gear pumps

Gear pumps Group I Left

Eur.cover/Threaded fl./Conical 1:8 Gr.I

Page: 1/2



Rotation reference: BTD...I=Rotation left
 BTD...D=Rotation right
 Min 600 rpm

Flange and cover: Alluminum

Part nº	R1	R2	Max. Press. (bar)	Max. Peak press.	R.P.M.	cm ³ / rev	A	B
BTD111I01	3/8" BSP	3/8" BSP	250	300	6000	1,1 CC	75	33
BTD116I01	3/8" BSP	3/8" BSP	250	300	6000	1,6 CC	78	35
BTD118I01	3/8" BSP	3/8" BSP	250	300	6000	1,8 CC	78,5	35,5
BTD127I01	3/8" BSP	3/8" BSP	250	300	6000	2,7 CC	81	37
BTD132I01	3/8" BSP	3/8" BSP	250	300	5000	3,2 CC	83	38
BTD137I01	3/8" BSP	3/8" BSP	250	300	4500	3,7 CC	85	39
BTD148I01	3/8" BSP	3/8" BSP	200	250	4000	4,8 CC	89	41

Gear pumps

Gear pumps Group I Left

Eur.cover/Threaded fl./Conical 1:8 Gr.I

Page: 2/2

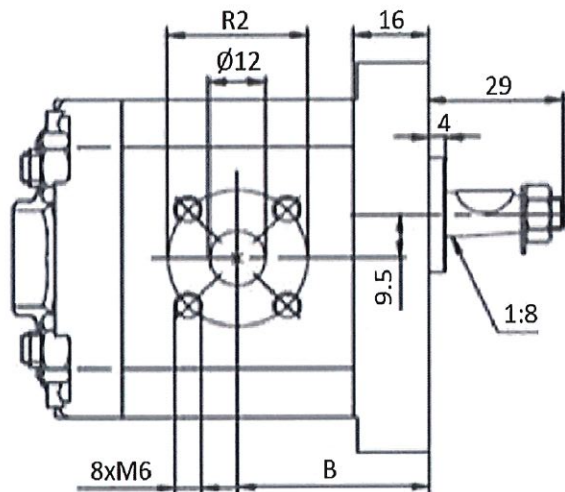
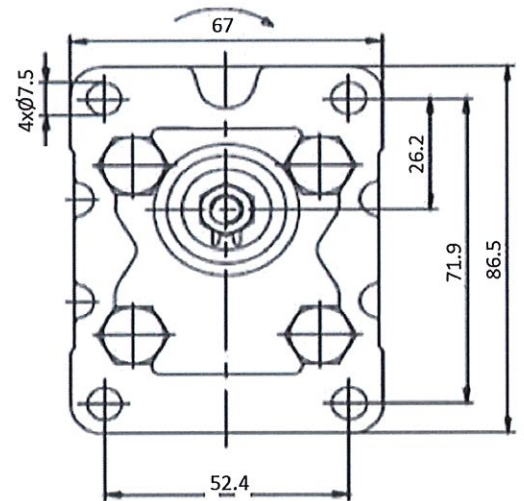
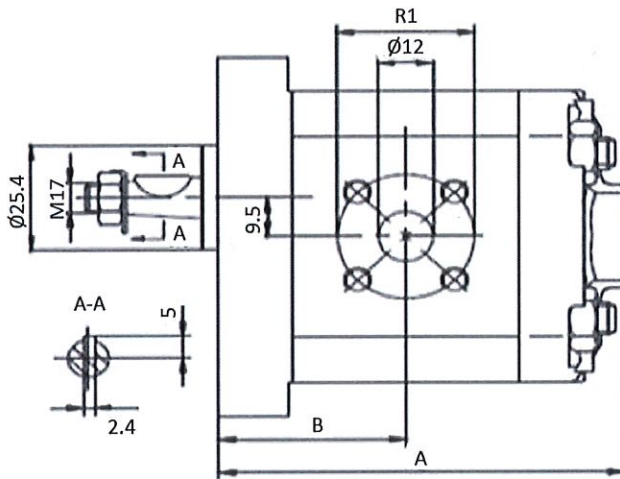
Part nº	R1	R2	Max. Press. (bar)	Max. Peak press.	R.P.M.	cm ³ / rev	A	B
BTD158I01	1/2" BSP	3/8" BSP	200	250	3500	5,8 CC	93	43
BTD163I01	1/2" BSP	3/8" BSP	200	250	2900	6,3 CC	97	45
BTD180I01	1/2" BSP	3/8" BSP	200	250	2100	8 CC	101	47

*R.P.M.=Máx. speed
R1 = inlet, R2 = outlet

Gear pumps

Gear pumps Group I Left

Eur.Cover/Bosch fl./Conical 1:8 Gr.I



Rotation reference: BTD...I=Rotation left
 BTD...D=Rotation right
 Min 600 rpm

Gear pumps

Gear pumps Group I Left

Eur.Cover/Bosch fl./Conical 1:8 Gr.I

Page: 2/2

Part n°	Ø ASPIRATION (mm)	Ø PRESSURE (mm)	Max. Press. (bar)	Flange diam.	Max. Peak press.	R.P.M.	cm ³ / rev	A	B
BTD107I03	30	30	250	30	300	6000	0,7 CC	74	32
BTD111I03	30	30	250	30	300	6000	1,1 CC	75	33
BTD116I03	30	30	250	30	300	6000	1,6 CC	78	35
BTD118I03	30	30	250	30	300	6000	1,8 CC	78,5	35,5
BTD127I03	30	30	250	30	300	6000	2,7 CC	81	37
BTD132I03	30	30	250	30	300	6000	3,2 CC	83	38
BTD137I03	30	30	250	30	300	5000	3,7 CC	85	39
BTD148I03	30	30	200	30	250	4000	4,8 CC	89	41
BTD158I03	30	30	200	30	250	3500	5,8 CC	93	43
BTD163I03	30	30	200	30	250	2900	6,3 CC	95	44
BTD180I03	30	30	200	30	250	2100	8 CC	101	47

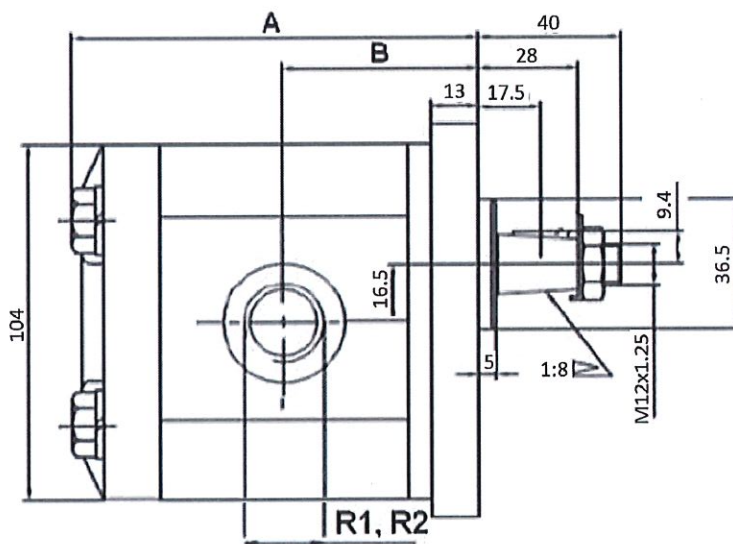
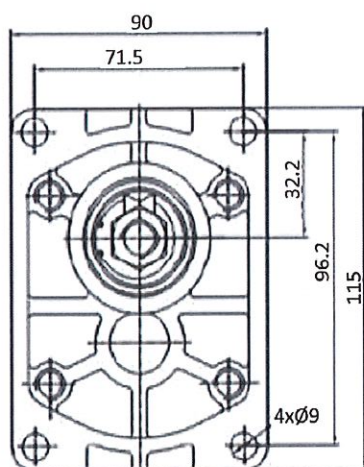
(*) R1 = inlet, R2 = outlet

Gear pumps

Gear pumps Group II Right

Gr.II Gear pump/Eur.flange/Tapered shaft 1:8 /Threaded Side ports type

Page: 1/1



Rotation reference: BTD...I=Rotation left
BTD...D=Rotation right

Min 500 rpm

Flange and cover: Alluminum

Part nº	R1	R2	Max. Press. (bar)	Max. Peak press.	R.P.M.	cm ³ / rev	A	B
BTD240D01	1/2" BSP	1/2" BSP	250	300	3500	4 CC	95,5	43,3
BTD260D01	1/2" BSP	1/2" BSP	250	300	3500	6 CC	99	45
BTD280D01	1/2" BSP	1/2" BSP	250	300	3500	8 CC	102	46,5
BTD2100D01	1/2" BSP	1/2" BSP	250	300	3500	10 CC	108	49,5
BTD2120D01	1/2" BSP	1/2" BSP	250	300	3500	12 CC	108	49,5
BTD2140D01	3/4" BSP	1/2" BSP	250	300	3500	14 CC	111	51
BTD2160D01	3/4" BSP	1/2" BSP	250	300	3500	16 CC	114	52,5
BTD2200D01	3/4" BSP	1/2" BSP	250	300	3500	20 CC	121	56
BTD2230D01	3/4" BSP	1/2" BSP	200	250	3000	23 CC	125,5	58,3
BTD2250D01	3/4" BSP	1/2" BSP	200	250	3000	25 CC	128	59,5
BTD2280D01	3/4" BSP	1/2" BSP	160	200	3000	28 CC	133	62
BTD2300D01	3/4" BSP	1/2" BSP	160	200	3000	30 CC	136	63,5

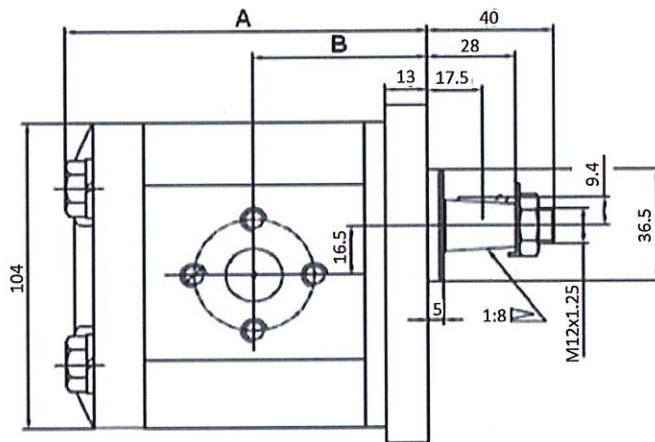
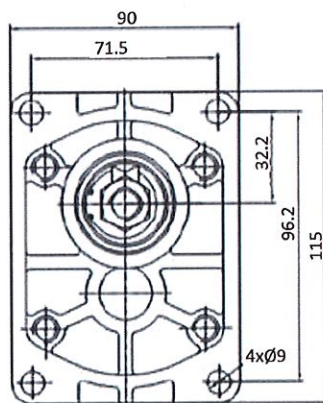
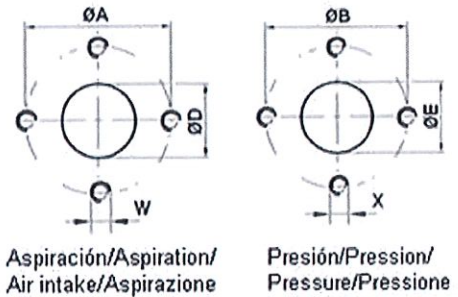
(*) R1 = inlet; R2 = outlet

Gear pumps

Gear pumps Group II Right

Gr.II Gear pump/Eur.flange/Tapered shaft 1:8 /Side ports type Eur.

Page: 1/1



Pressure: ØE = 13; X = M6

Rotation reference: BTD...I = Left; BTD...D = Right

Min 500 rpm

Flange and cover: Alluminum

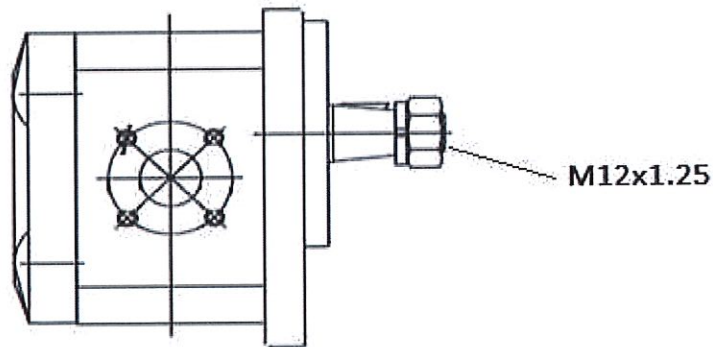
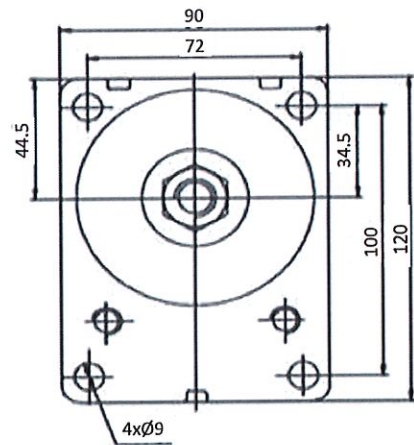
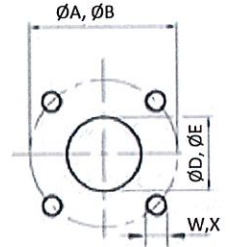
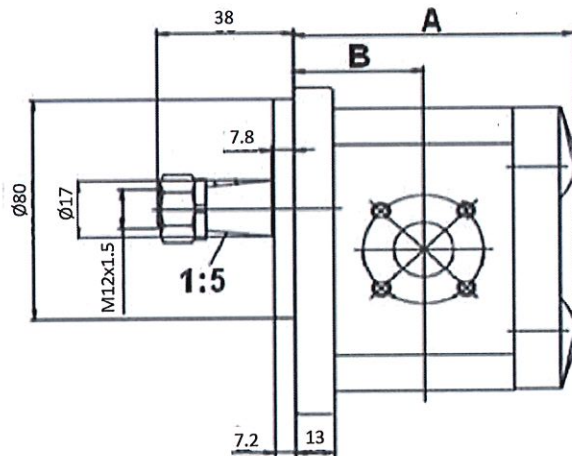
Part nº	Ø ASPIRATION (mm)	Ø PRESSURE (mm)	Max. Press. (bar)	Max. Peak press.	R.P.M.	cm ³ / rev	ØA	ØB	ØD	A	B	W
BTD240D02	30	30	250	300	3500	4 CC	30	30	13	95,5	43,3	M6
BTD260D02	30	30	250	300	3500	6 CC	30	30	13	99	45	M6
BTD280D02	30	30	250	300	3500	8 CC	30	30	13	102	46,5	M6
BTD2100D02	30	30	250	300	3500	10 CC	30	30	20	108	49,5	M6
BTD2120D02	30	30	250	300	3500	12 CC	30	30	20	108	49,5	M6
BTD2140D02	40	30	250	300	3500	14 CC	40	30	20	111	51	M8
BTD2160D02	40	30	250	280	3500	16 CC	40	30	20	114	52,5	M8
BTD2200D02	40	30	250	280	3500	20 CC	40	30	20	121	56	M8
BTD2230D02	40	30	200	250	3000	23 CC	40	30	20	125,5	58,3	M8
BTD2250D02	40	30	200	250	3000	25 CC	40	30	20	128	59,5	M8
BTD2280D02	40	30	160	200	3000	28 CC	40	30	20	133	62	M8
BTD2300D02	40	30	160	200	3000	30 CC	40	30	20	136	63,5	M8

Gear pumps

Gear pumps Group II Right

Gr. II Gear pump/Bosch flange/Tapered shaft 1:5 /Side ports German type

Page: 1/2



Pressure: ØE = 15 ; X = M6

Rotation reference: BTD...I=Rotation left
BTD...D=Rotation right
Min 500 rpm

Flange and cover: Cast iron

Part n°	Ø ASPIRATION (mm)	Ø PRESSURE (mm)	Max. Press. (bar)	Max. Peak press.	R.P.M.	cm ³ / rev	ØA	ØB	ØD	A	B	W
BTD260D04	40	35	250	300	3500	6 CC	40	35	15	99	45	M6
BTD280D04	40	35	250	300	3500	8 CC	40	35	20	102	46,5	M6
BTD2120D04	40	35	250	300	3500	12 CC	40	35	20	108	49,5	M6
BTD2140D04	40	35	250	300	3500	14 CC	40	35	20	111	51	M6
BTD2160D04	40	35	250	300	3500	16 CC	40	35	20	114	52,5	M6
BTD2200D04	40	35	250	300	3500	20 CC	40	35	20	121	56	M6
BTD2230D04	40	35	200	250	3000	23 CC	40	35	20	125,5	58,3	M6

The information gathered in this technical documentation (Catalogue) has an informative character and can be modified without previous notice. DICSA will not accept any type of responsibility resulting from an inappropriate use of the product, except the ones related to manufacturing defects.

Gear pumps

Gear pumps Group II Right

Gr. II Gear pump/Bosch flange/Tapered shaft 1:5 /Side ports German type

Page: 2/2

Part n°	∅ ASPIRATION (mm)	∅ PRESSURE (mm)	Max. Press. (bar)	Max. Peak press.	R.P.M.	cm ³ / rev	∅A	∅B	∅D	A	B	W
BTD2250D04	40	35	200	250	3000	25 CC	40	35	20	128	59,5	M6
BTD2280D04	40	30	160	200	3000	28 CC	40	30	20	133	62	M8

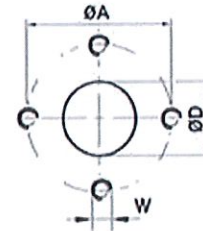
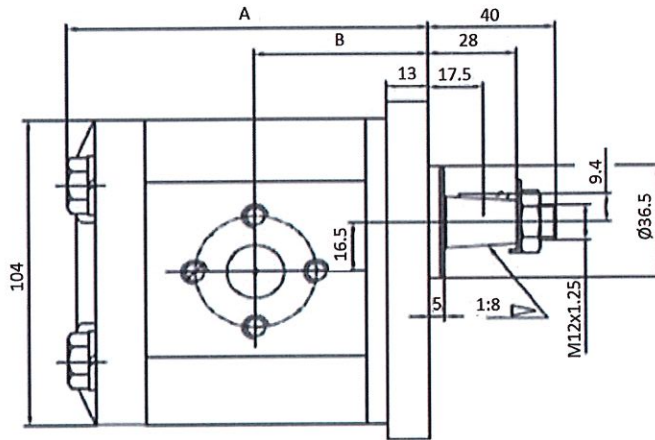
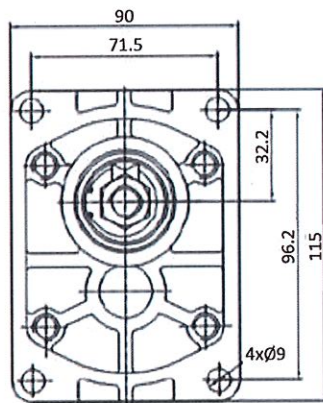
∅A, ∅D, W = Inlet
∅B, ∅E, X = Outlet

Gear pumps

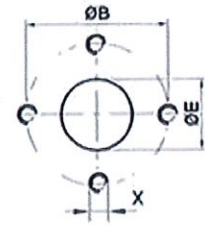
Gear pumps Group II Left

Eur.Cover/Eur.Stand.Fl./Conical 1:8 Gr.II

Page: 1/1



Aspiración/Aspiration/
Air intake/Aspirazione



Presión/Pression/
Pressure/Pressione

Pressure: ØE = 13; X = M6

Rotation reference: BTD...I = Left; BTD...D = Right

Min 500 rpm

Flange and cover: Alluminum

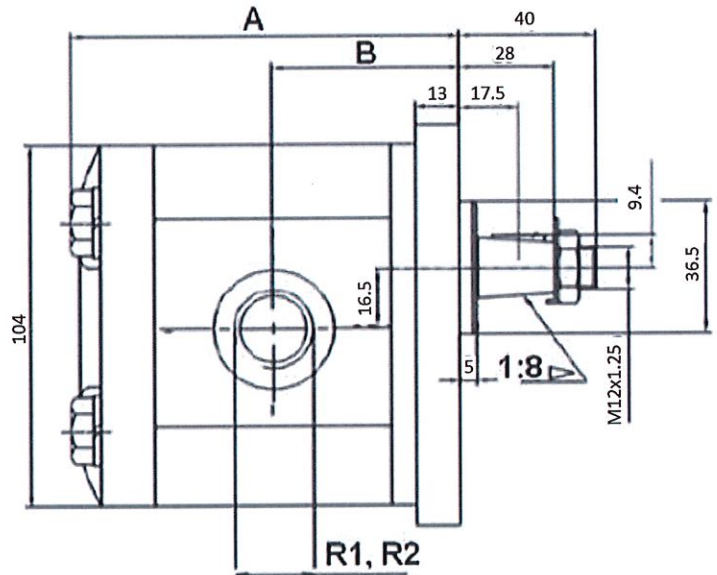
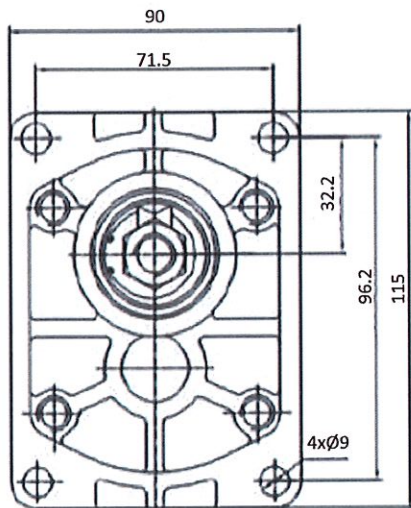
Part nº	Ø ASPIRATION (mm)	Ø PRESSURE (mm)	Max. Press. (bar)	Max. Peak press.	R.P.M.	cm ³ / rev	ØA	ØB	ØD	A	B	W
BTD240I02	30	30	250	300	3500	4 CC	30	30	13	95,5	43,3	M6
BTD260I02	30	30	250	300	3500	6 CC	30	30	13	99	45	M6
BTD280I02	30	30	250	300	3500	8 CC	30	30	13	102	46,5	M6
BTD2100I02	30	30	250	300	3500	10 CC	30	30	20	108	49,5	M6
BTD2120I02	30	30	250	300	3500	12 CC	40	30	20	108	49,5	M6
BTD2140I02	40	30	250	300	3500	14 CC	40	30	20	111	51	M8
BTD2160I02	40	30	250	280	3500	16 CC	40	30	20	114	52,5	M8
BTD2200I02	40	30	250	280	3500	20 CC	40	30	20	121	56	M8
BTD2230I02	40	30	200	250	3000	23 CC	40	30	20	125,5	58,3	M8
BTD2250I02	40	30	200	250	3000	25 CC	40	30	20	128	59,5	M8
BTD2280I02	40	30	160	200	3000	28 CC	40	30	20	133	62	M8
BTD2300I02	40	30	160	200	3000	30 CC	40	30	20	136	63,5	M8

Gear pumps

Gear pumps Group II Left

Eur.Cover/Threaded Fl./Conical 1:8 Gr.II

Page: 1/1



Rotation reference: BTD...I=Rotation left
BTD...D=Rotation right

Min 500 rpm

Flange and cover: Alluminum

Part n°	R1	R2	Max. Press. (bar)	Max. Peak press.	R.P.M.	cm ³ / rev	A	B
BTD240I01	1/2" BSP	1/2" BSP	250	300	3500	4 CC	95,5	43,3
BTD260I01	1/2" BSP	1/2" BSP	250	300	3500	6 CC	99	45
BTD280I01	1/2" BSP	1/2" BSP	250	300	3500	8 CC	102	46,5
BTD2100I01	1/2" BSP	1/2" BSP	250	300	3500	10 CC	108	49,5
BTD2120I01	1/2" BSP	1/2" BSP	250	300	3500	12 CC	108	49,5
BTD2140I01	3/4" BSP	1/2" BSP	250	300	3500	14 CC	111	51
BTD2160I01	3/4" BSP	1/2" BSP	250	300	3500	16 CC	114	52,5
BTD2200I01	3/4" BSP	1/2" BSP	250	300	3500	20 CC	121	56
BTD2230I01	3/4" BSP	1/2" BSP	200	250	3000	23 CC	125,5	58,3
BTD2250I01	3/4" BSP	1/2" BSP	200	250	3000	25 CC	128	59,5
BTD2280I01	3/4" BSP	1/2" BSP	160	200	3000	28 CC	133	62
BTD2300I01	3/4" BSP	1/2" BSP	160	200	3000	30 CC	136	63,5

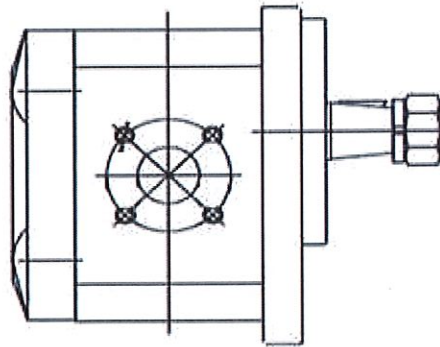
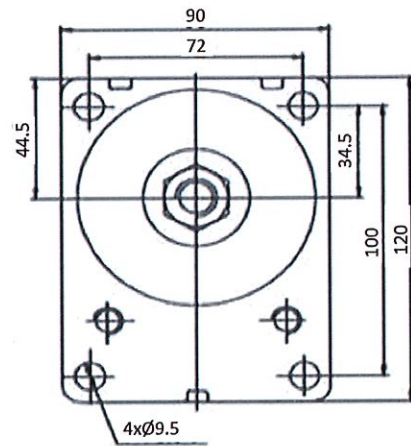
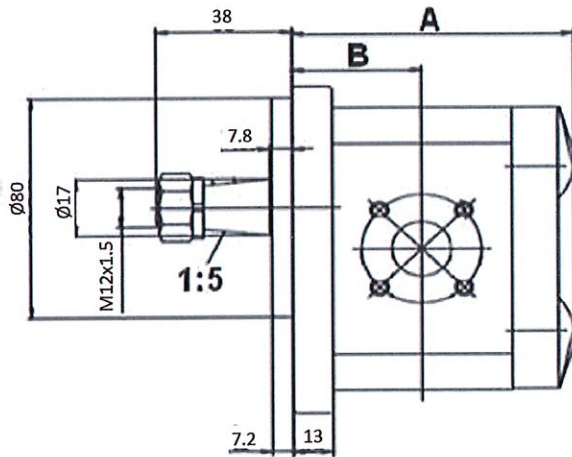
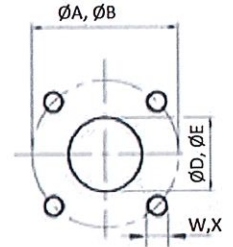
(*) R1 = inlet; R2 = outlet

Gear pumps

Gear pumps Group II Left

Bosch Cov./Bosch Fl./Conical 1:5 Gr.II

Page: 1/2



Pressure: ØE = 15 ; X = M6

Rotation reference: BTD...I=Rotation left
BTD...D=Rotation right

Min 500 rpm

Flange and cover: Cast iron

Part nº	Ø ASPIRATION (mm)	Ø PRESSURE (mm)	Max. Press. (bar)	Max. Peak press.	R.P.M.	cm³ / rev	ØA	ØB	ØD	A	B	W
BTD260I04	40	35	250	300	3500	6 CC	40	35	15	99	45	M6
BTD280I04	40	35	250	300	3500	8 CC	40	35	20	102	46,5	M6
BTD2120I04	40	35	250	300	3500	12 CC	40	35	20	108	49,5	M6
BTD2280I04	40	30	160	200	3000	28 CC	40	30	20	133	62	M8
BTD2140I04	40	35	250	300	3500	14 CC	40	35	20	111	51	M6
BTD2160I04	40	35	250	300	3500	16 CC	40	35	20	114	52,5	M6
BTD2200I04	40	35	250	300	3500	20 CC	40	35	20	121	56	M6

Gear pumps

Gear pumps Group II Left

Bosch Cov./Bosch Fl./Conical 1:5 Gr.II

Page: 2/2

Part n°	Ø ASPIRATION (mm)	Ø PRESSURE (mm)	Max. Press. (bar)	Max. Peak press.	R.P.M.	cm ³ / rev	ØA	ØB	ØD	A	B	W
BTD2230I04	40	35	200	250	3000	23 CC	40	35	20	125,5	58,3	M6
BTD2250I04	40	35	200	250	3000	25 CC	40	35	20	128	59,5	M6

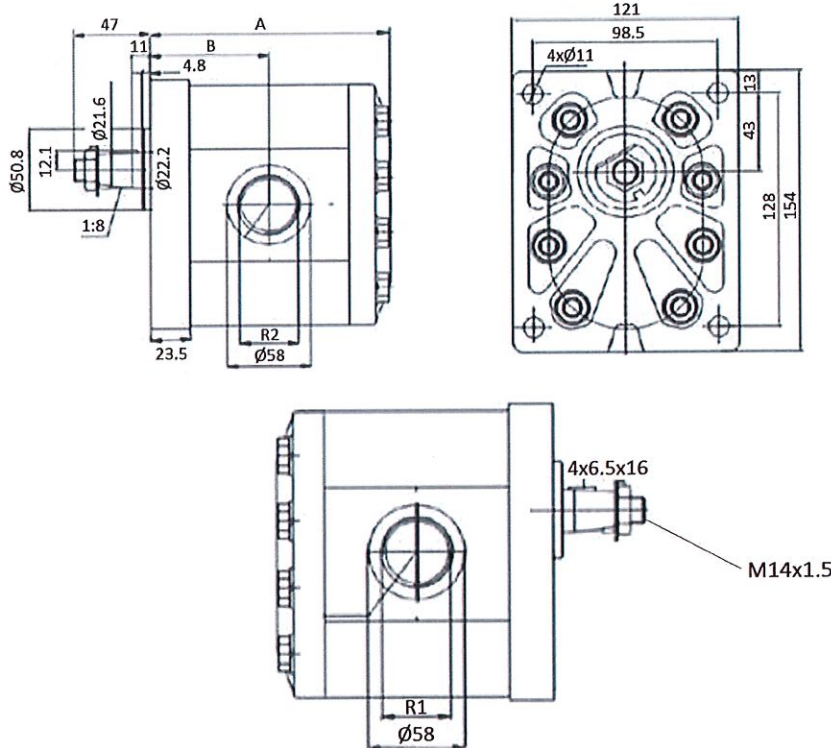
ØA, ØD, W = Inlet
ØB, ØE, X = Outlet

Gear pumps

Gear pumps Group III Right

Gr.III Gear pump/Eur.flange/Tapered shaft 1:8 /Side ports type threaded

Page: 1/1



Rotation reference: BTD...I=Rotation left
BTD...D=Rotation right

Min 400 rpm

Brida y tapa: Hierro fundido

Part nº	R1	R2	Max. Press. (bar)	Max. Peak press.	R.P.M.	cm ³ / rev	A	B
BTD3220D01	3/4" BSP	3/4" BSP	200	250	3000	22 CC	130,5	63,5
BTD3260D01	3/4" BSP	3/4" BSP	200	250	3000	26 CC	133,5	65
BTD3280D01	1" BSP	3/4" BSP	200	250	3000	28 CC	134,5	65,5
BTD3320D01	1" BSP	3/4" BSP	200	250	3000	32 CC	137,5	67
BTD3360D01	1" BSP	3/4" BSP	200	250	3000	36 CC	140,5	68,5
BTD3420D01	1" BSP	3/4" BSP	200	250	2800	42 CC	144,5	70,5
BTD3460D01	1" BSP	3/4" BSP	200	250	2400	46 CC	147,5	72
BTD3500D01	1" BSP	3/4" BSP	200	250	2400	50 CC	150	73,5
BTD3550D01	1" BSP	3/4" BSP	200	250	2400	55 CC	153,5	75

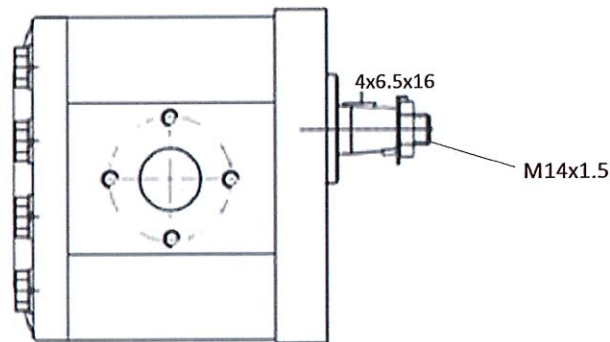
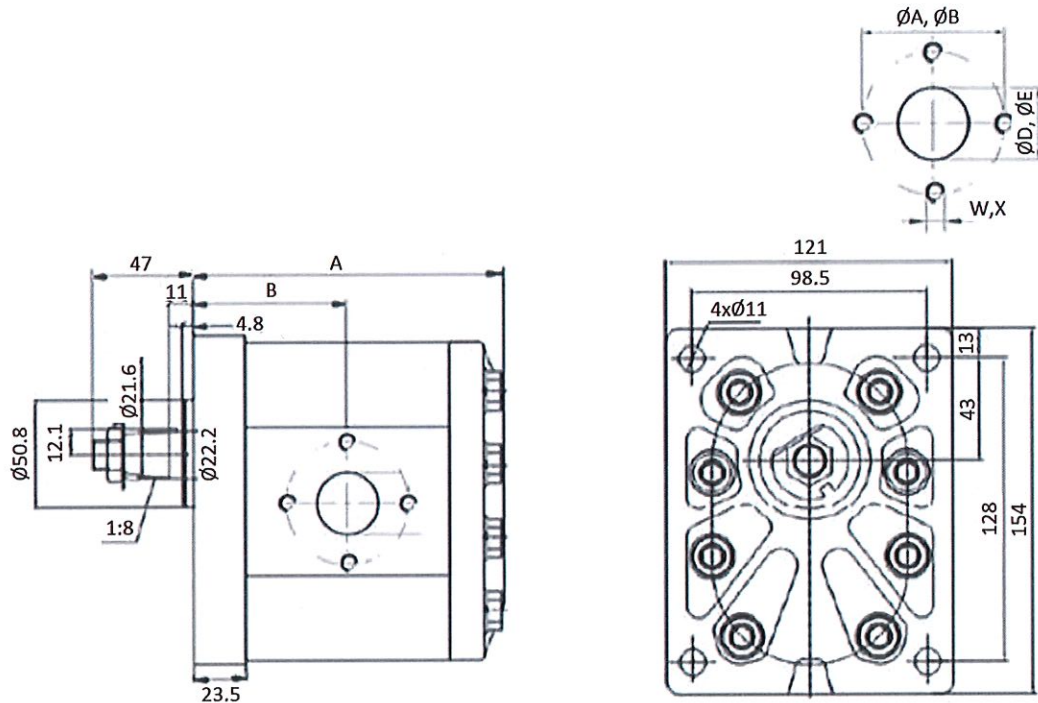
R1 = inlet; R2 = outlet

Gear pumps

Gear pumps Group III Right

Gr.III Gear pump/Eur.flange/Tapered shaft 1:8 /Side ports type Eur.

Page: 1/2



Air intake and pressure: - From 22 to 28 cm³: W = M8; X = M8. - From 34 to 55 cm³: W = M10; X = M8

Rotation reference: BTD...I = Left; BTD...D = Right

Min 400 rpm

Flange and cover: Cast iron

Part nº	Ø ASPIRATION (mm)	Ø PRESSURE (mm)	Max. Press. (bar)	Max. Peak press.	R.P.M.	cm ³ / rev	ØA	ØB	ØD	ØE	A	B
BTD3220D02	40	40	200	250	3000	22 CC	40	40	27	19	128,5	65,5
BTD3260D02	40	40	200	250	3000	26 CC	40	40	27	19	131,5	67
BTD3280D02	40	40	200	250	3000	28 CC	40	40	27	19	134	68,5
BTD3340D02	50	40	200	250	3000	34 CC	50	40	27	19	137	69,8
BTD3390D02	50	40	200	250	3000	39 CC	50	40	27	19	141	71,8
BTD3430D02	50	40	200	250	2800	43 CC	50	40	27	27	143,5	73
BTD3460D02	50	40	200	250	2400	46 CC	50	40	27	27	146,5	74

Gear pumps

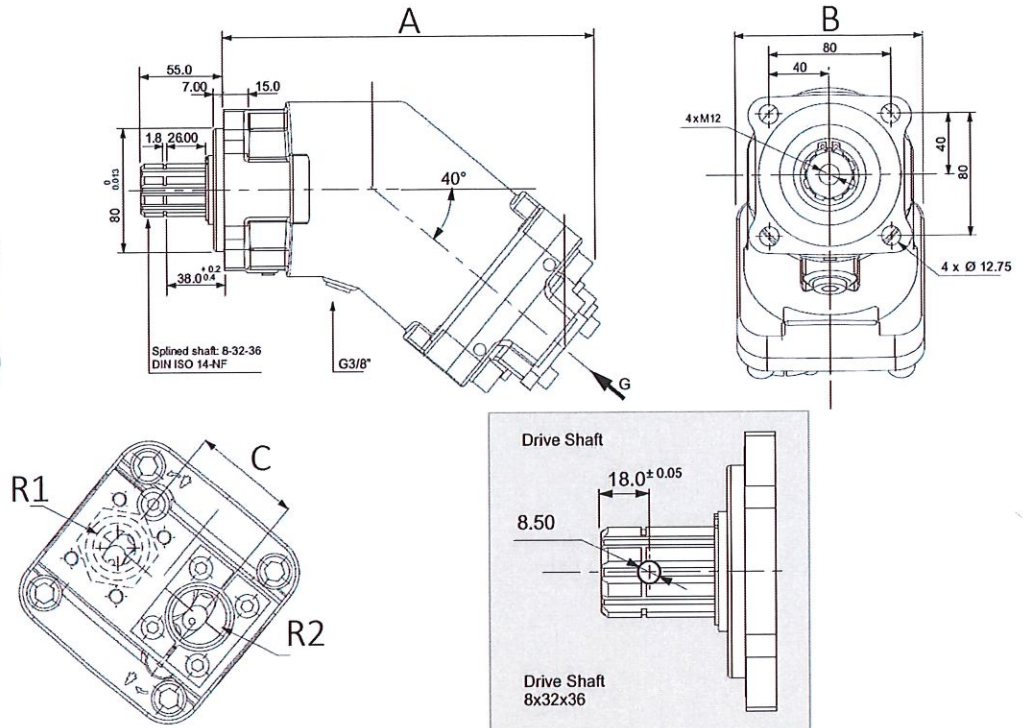
Gear pumps Group III Right

**Gr.III Gear pump/Eur.flange/Tapered shaft 1:8
/Side ports type Eur.**

Page: 2/2

Part n°	Ø ASPIRATION (mm)	Ø PRESSURE (mm)	Max. Press. (bar)	Max. Peak press.	R.P.M.	cm ³ / rev	ØA	ØB	ØD	ØE	A	B
BTD3510D02	50	40	200	250	2400	51 CC	50	40	27	27	149,5	76
BTD3550D02	50	40	200	250	2400	55 CC	50	40	27	27	152	78

ØA, ØD, W = Inlet
ØB, ØE, X = Outlet



Part n°	R1	R2	Working Pressure (bar)	Max. Press. (bar)	Max. torque	Rotation speed (rpm)	FLOW (cm ³)	A	B	C
BPT12	3/4"	3/4"	350	400	71	2300	12	195	108	54
BPT18	3/4"	3/4"	350	400	105	2300	18	195	108	54
BPT25	3/4"	3/4"	350	400	146	2300	25	195	108	54
BPT32	3/4"	3/4"	350	400	190	2250	32	202	108	54
BPT40	3/4"	3/4"	350	400	240	1900	40	202	108	54
BPT50	3/4"	3/4"	350	400	292	1900	50	215	108	54
BPT63	3/4"	3/4"	350	400	360	1900	63	215	108	54
BPT80	1"	1"	350	400	460	1700	80	242	122	60
BPT108	1"	1"	350	400	620	1700	108	242	122	60
BPT130	1"	1"	350	400	746	1600	130	242	122	60

*** Review attached PDF***

Possibility to change the rotation of the pump following these instructions